



FEEDING TECHNOLOGY *specialized in calves*

# Spare part list

## Urban MilkShuttle

Version 2.0 Revision 0  
16th December 2022





# Contents

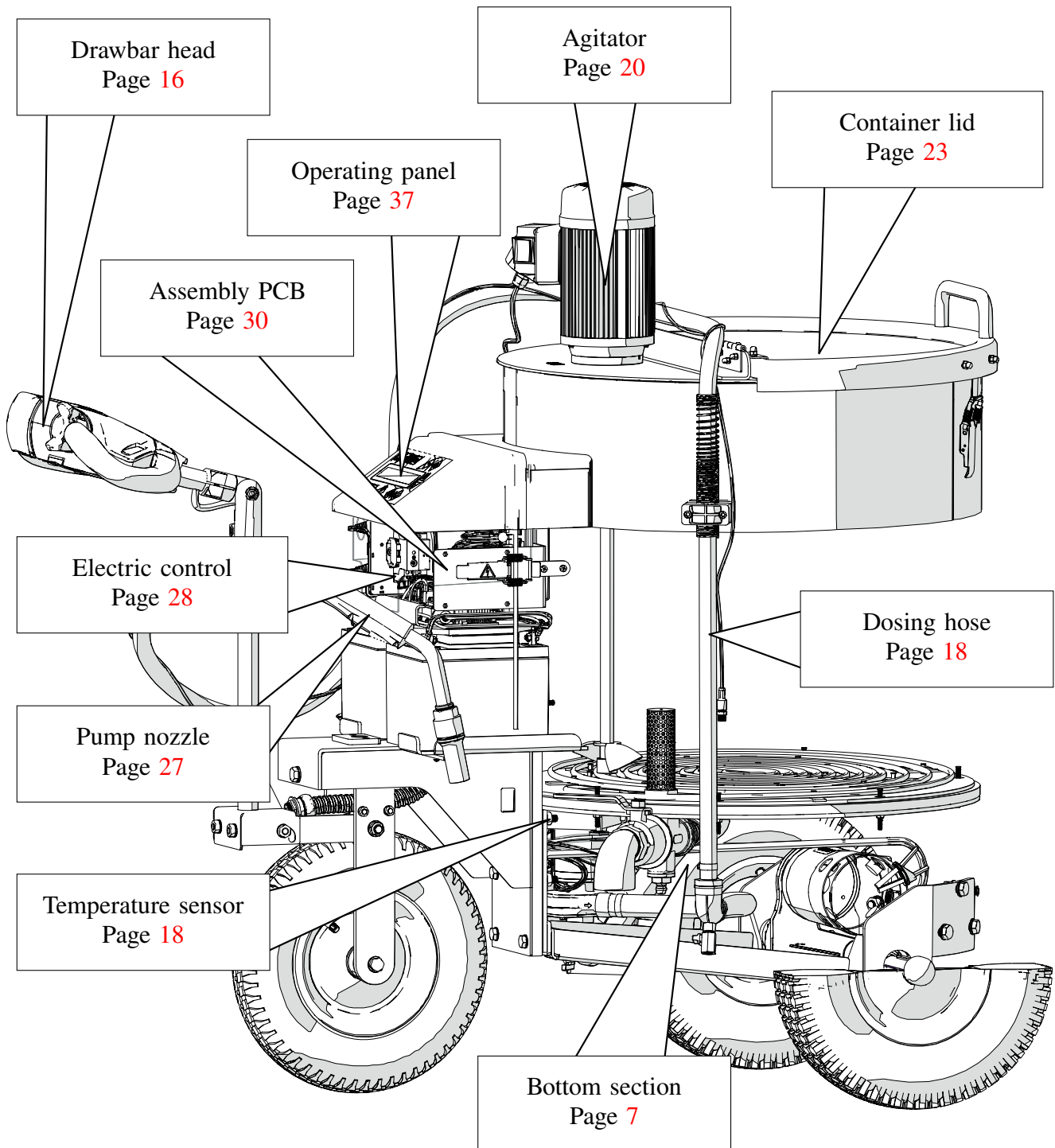
<b>1</b>	<b>Illustration of assemblies</b>	<b>6</b>
1.1	Overall view . . . . .	6
1.2	Bottom section . . . . .	7
<b>2</b>	<b>Bottom section</b>	<b>8</b>
2.1	Wheels, wheel mounting, traction drive . . . . .	8
2.2	Dosing system, dosing pump, drain tap, hose lines . . . . .	10
2.2.1	MilkShuttle, Standard . . . . .	10
2.2.2	MilkShuttle Pasteurizer . . . . .	12
2.3	Heating coils . . . . .	14
<b>3</b>	<b>Drawbar head</b>	<b>16</b>
<b>4</b>	<b>Container for liquid feed</b>	<b>18</b>
4.1	Temperature sensor, Dosing hose (mounting elements included) . . . . .	18
4.2	Agitator . . . . .	20
4.3	Motor agitator . . . . .	22
4.4	Container lid . . . . .	23
4.4.1	Vacuum lid . . . . .	23
4.4.2	Basic version . . . . .	24
<b>5</b>	<b>Dosing system</b>	<b>26</b>
5.1	Dosing pump . . . . .	26
5.2	Pump nozzle . . . . .	27
<b>6</b>	<b>Functional group <i>electric control</i></b>	<b>28</b>
6.1	Exploded view . . . . .	28
6.2	List of spare parts . . . . .	29
6.3	Assembly PCB . . . . .	30
6.3.3	PCBs for heating and dosing pump . . . . .	32
6.3.4	I-drive control . . . . .	34
6.3.5	Mains monitoring . . . . .	36
6.4	Operating panel (LCD display + Membrane keyboard) . . . . .	37
6.5	Power cords . . . . .	38
6.6	Power cords (for UK/Germany) . . . . .	39
<b>7</b>	<b>Maintenance parts</b>	<b>40</b>
7.1	Hose kits for maintenance . . . . .	40
7.2	Inspection sticker . . . . .	40
<b>8</b>	<b>Retrofit kits</b>	<b>41</b>
8.1	Retrofit kit <i>Tow ball</i> (104045 / 101303) . . . . .	41
8.2	Retrofit kit <i>Bucket carrier</i> (101420) . . . . .	42
8.3	Retrofit kit <i>Spray nozzle</i> (101422 / 101423) . . . . .	43
8.4	Retrofit kit <i>Bend protection for dosing hose</i> (101417) . . . . .	43
8.5	Retrofit kit <i>Connection for drenching equipment</i> (101421) . . . . .	43

<b>9 Teat bucket</b>	<b>44</b>
<b>10 MilkShuttle Firmware</b>	<b>45</b>
10.1 Available Languages . . . . .	45
10.2 Article no. 101395: PCB DIMA220 MSP from F5xxx / MSII from G6xxx, all languages . . . . .	45
10.3 Article no. 101411: DIMA220 board Milk Shuttle up to serial no. F5xxx . . . . .	45
<b>Index: Article description</b>	<b>46</b>
<b>Index: Article numbers</b>	<b>47</b>

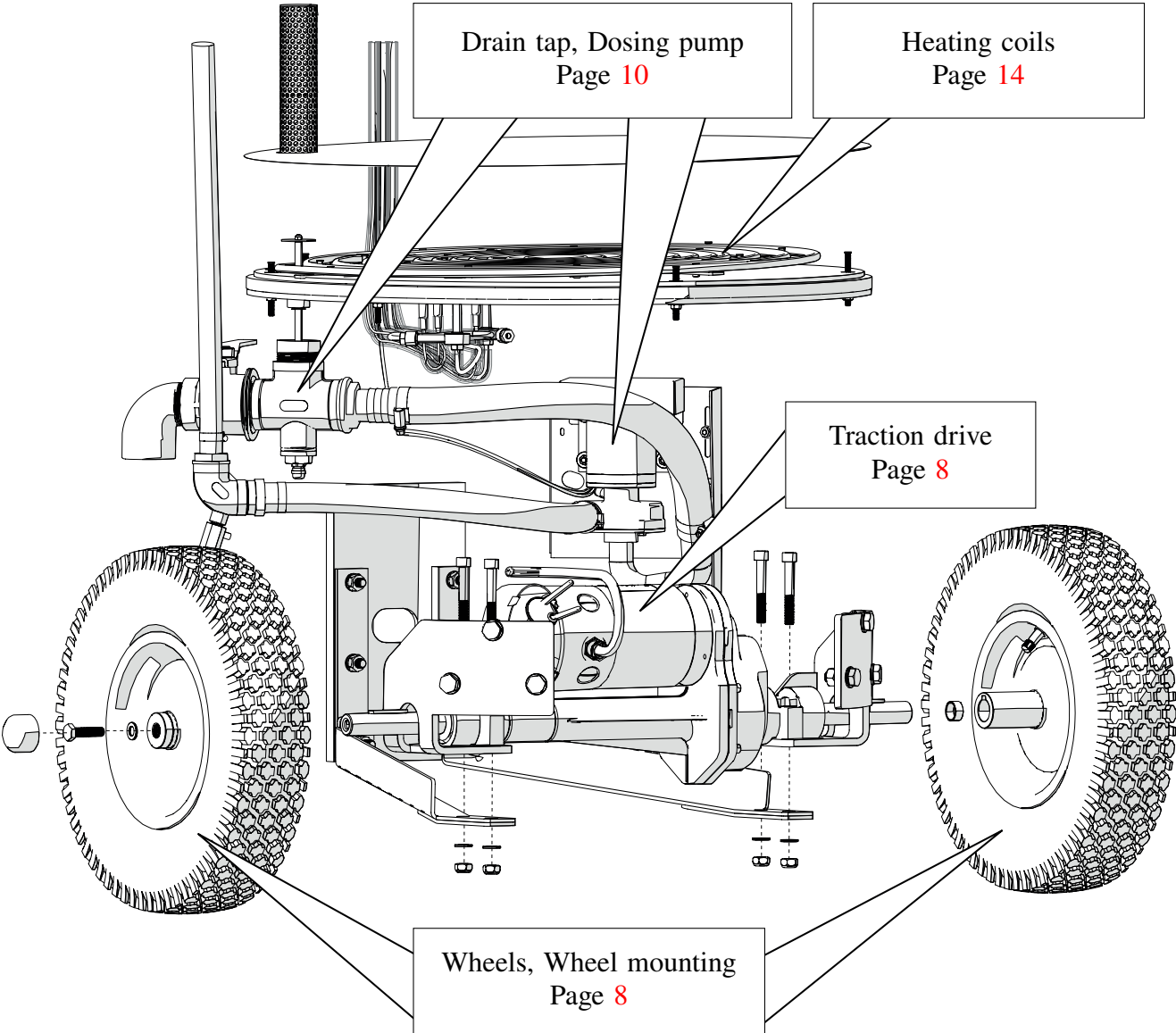


# 1 Illustration of assemblies

## 1.1 Overall view



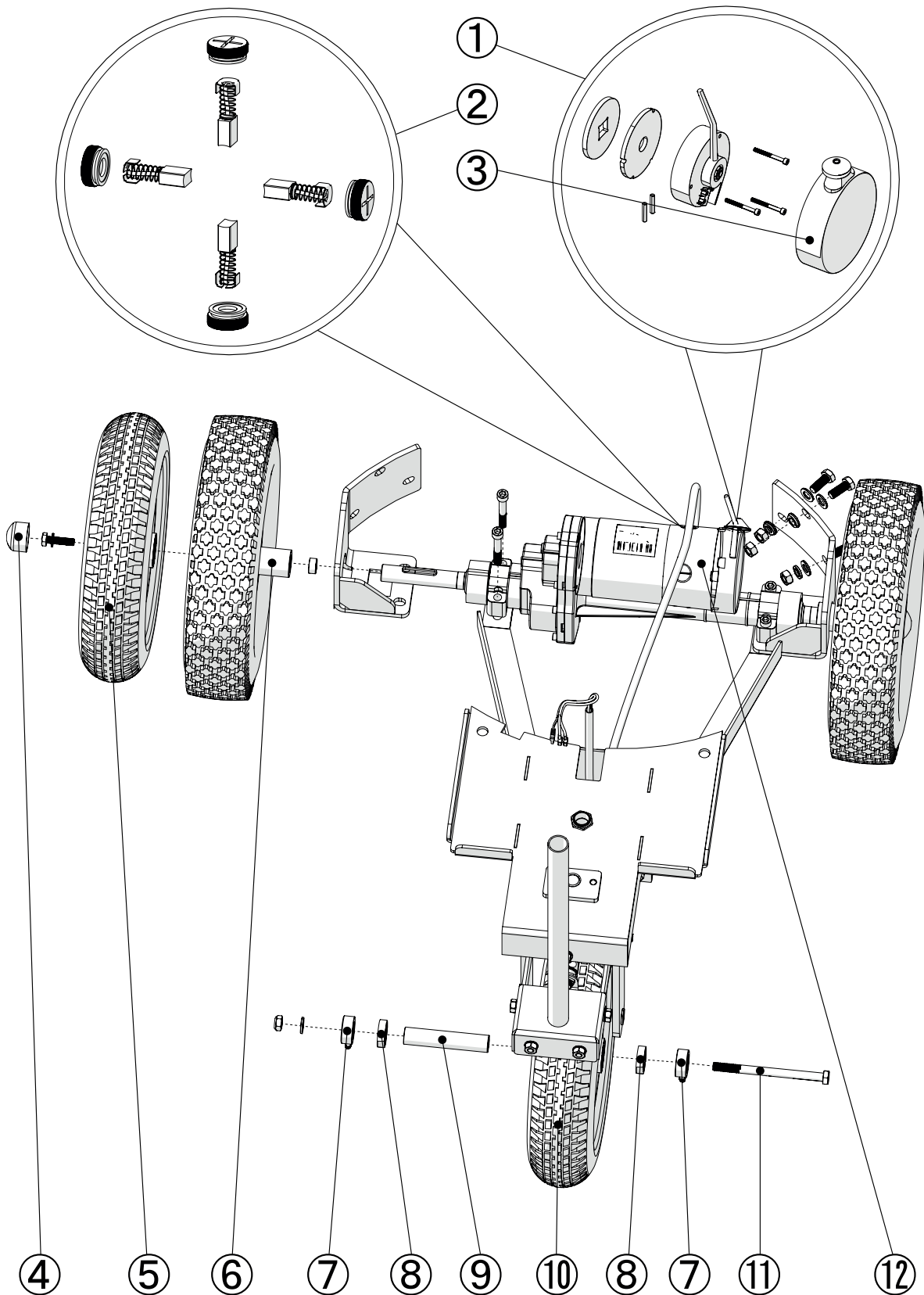
### 1.2 Bottom section



## 2 Bottom section

### 2.1 Wheels, wheel mounting, traction drive

#### 2.1.1 Exploded view





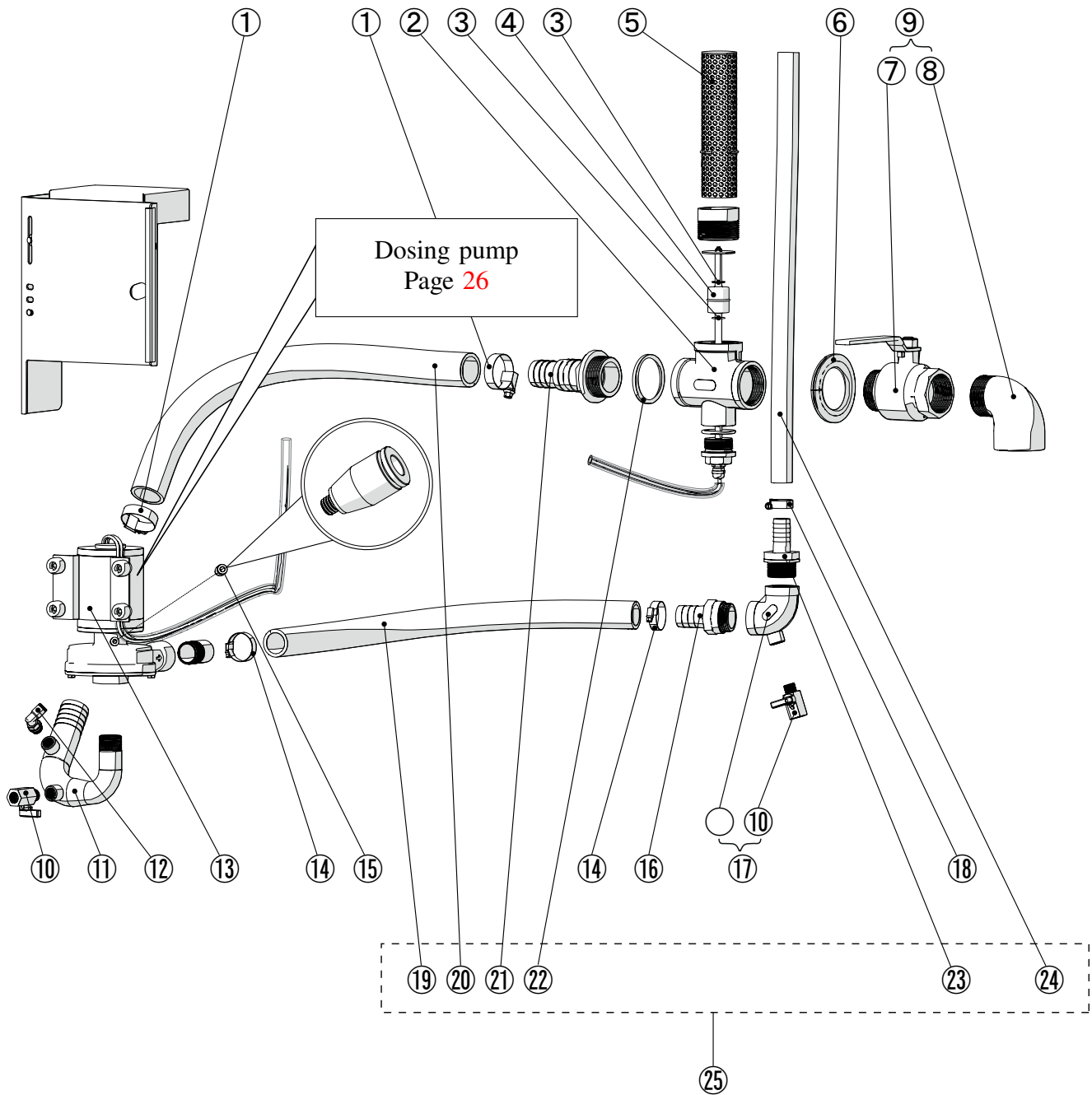
**2.1.2 List of spare parts**

Pos.	Article no.	Description	Unit
①	101461	SII - Repair kit: Propelling drive break incl. cover	piece
②	101463	Repair kit carbon brushes	piece
③	101460	Cover propelling drive brake	piece
④	100853	Pneumatic tyres end caps rear drive	piece
⑤	103351	Puncture free tire (rear TIRE) asymmetric, for MS without drive	piece
⑥	103349	Puncture free tyre 400 rear drive	piece
⑦	103522	Adjusting collar for wheels 25.2 with threaded pin DIN M8×10	piece
⑧	102966	deep groove ball bearing for MS front tire	piece
⑨	100622	Leading axle track roller	piece
⑩	103350	Puncture free tire (FRONT TIRE) symmetric	piece
⑪	103603	Hexagon screw DIN 931 - A2 - M12×160	piece
⑫	102611	Drive motor with differential gear 24 V	piece

## 2.2 Dosing system, dosing pump, drain tap, hose lines

### 2.2.1 MilkShuttle, Standard

Exploded view



**List of spare parts**

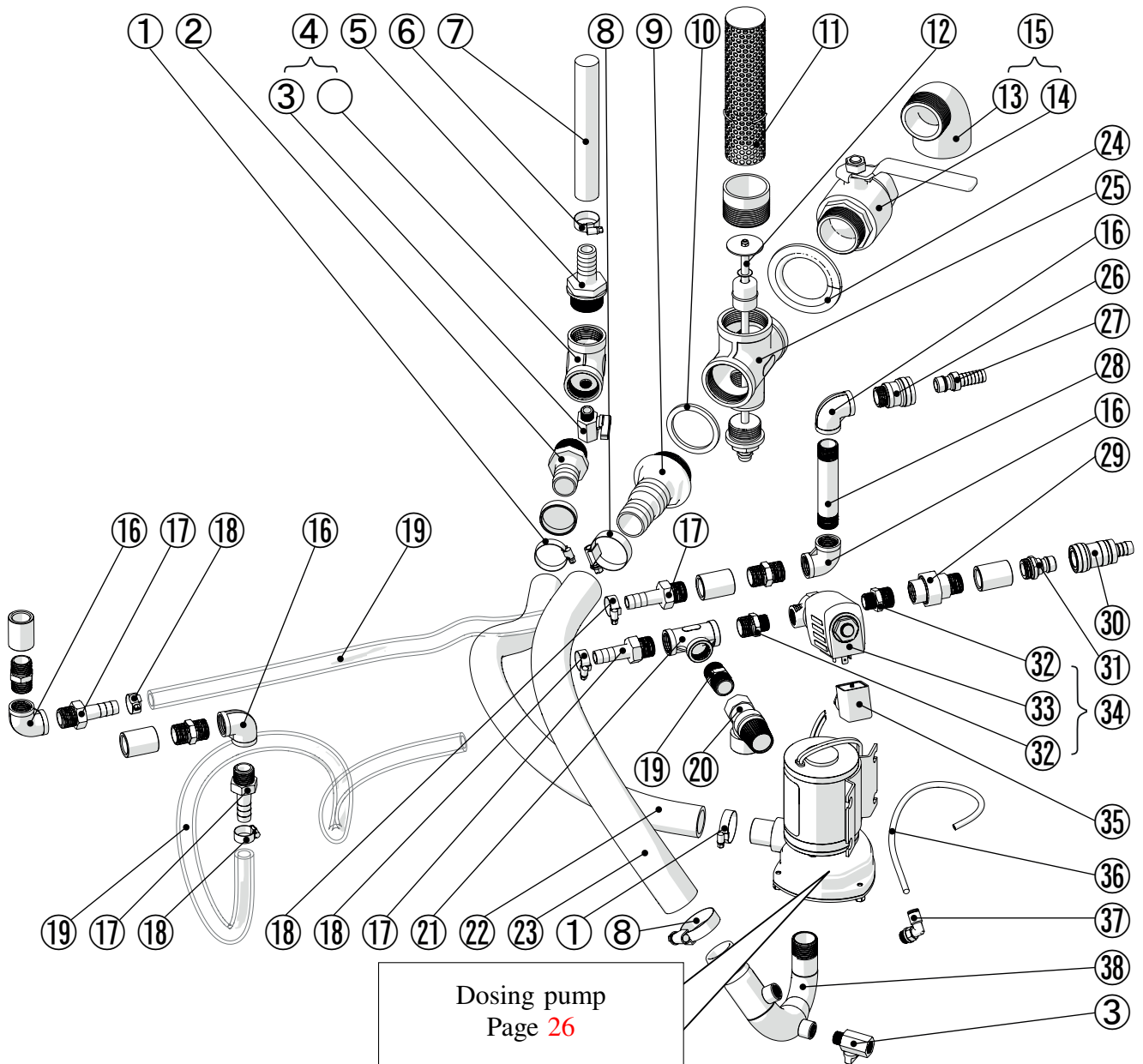
Pos.	Article no.	Description	Unit
①	102860	Hose clamps 12 mm width, Ø 30-45	piece
②	100566	T-fitting, for mounting of floating switch, 1"	piece
③	103341	Missing translation: EN	piece
④	102470	SP - Float switch (fill level)	piece
⑤	100722	Sieve insert, pump	piece
⑥	103222	Joint anti-mouches	m
⑦	102849	M/Ball valve (type K91) 1½" IA	piece
⑧	103144	Plastic bracket 1½" with 1×AG	piece
⑨	100529	Drain valve with angle 1½"	piece
⑩	102864	Ball valve-mini ¼" F IA	piece
⑪	100560	Welding arc, centrifugal pump	piece
⑫	102995	Angle connector for ventilation of milk pump	piece
⑬	102990	Stainless steel centrifugal pump 12 V	piece
⑭	102861	Hose clamps 9 mm width, Ø 20-32	piece
⑮	100604	Straight connector for ventilation of milk pump	piece
⑯	102827	M/Hose nozzle 1" A nozzle 26 mm VA	piece
⑰	100597	Angle 1" with drain cock	piece
⑱	102859	Hose clamps 9 mm width, Ø 16-27	piece
⑲	103148	Suction hose Amorvin 25 mm	m
⑳	103152	Suction hose Amorvin 32 mm	m
㉑	102998	Hose nozzle ABS 32 - 38 × 1½ external thread	piece
㉒	103226	Flat gasket 47 × 4	piece
㉓	102973	Hose nozzle 1" A nozzle 20 PP	piece
㉔	103147	Suction hose Amorvin 19 mm	m

**Hose kits for maintenance**

Pos.	Article no.	Description	Unit
㉔	100120	SII - Maintenance Kit "Hoses" 100L	piece
	101375	Hose service kit, for MilkShuttle 150-250 l	piece

## 2.2.2 MilkShuttle Pasteurizer

### Exploded view



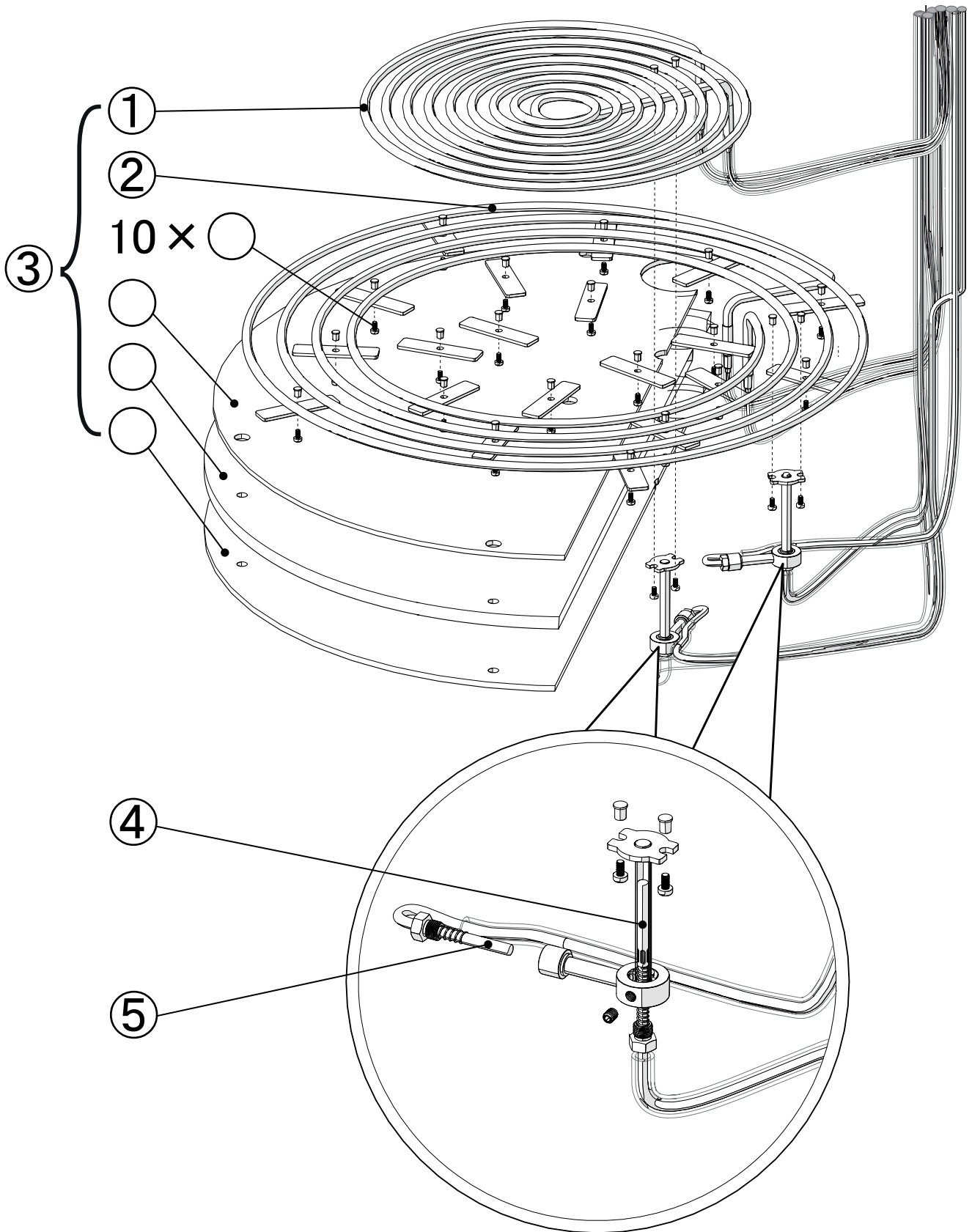
### List of spare parts

Pos.	Article no.	Description	Unit
①	102861	Hose clamps 9 mm width, Ø 20-32	piece
②	102827	M/Hose nozzle 1" A nozzle 26 mm VA	piece
③	102864	Ball valve-mini ¼" F IA	piece
④	100597	Angle 1" with drain cock	piece
⑤	102973	Hose nozzle 1" A nozzle 20 PP	piece
⑥	102859	Hose clamps 9 mm width, Ø 16-27	piece
⑦	103147	Suction hose Amorvin 19 mm	m

Pos.	Article no.	Description	Unit
8	102860	Hose clamps 12 mm width, Ø 30-45	piece
9	102998	Hose nozzle ABS 32 - 38 × 1½ external thread	piece
10	103226	Flat gasket 47 × 4	piece
11	100722	Sieve insert, pump	piece
12	102470	SP - Float switch (fill level)	piece
13	103144	Plastic bracket 1½" with 1×AG	piece
14	102849	M/Ball valve (type K91) 1½" IA	piece
15	100529	Drain valve with angle 1½"	piece
16	102829	Ellbow 90°, ½"	piece
17	103020	Hose nozzle ½" × 14,5 mm VA-A	piece
18	102858	Hose clamps 9 mm width, Ø 12-22 mm	piece
19	103227	Woven hose TX-PVC 13 × 3.5 mm	m
20	103000	Pressure relief valve ½" to ¾"	piece
21	103007	T-connector ½" F thread V4A	piece
22	103148	Suction hose Amorvin 25 mm	m
23	103152	Suction hose Amorvin 32 mm	m
24	103222	Joint anti-mouches	m
25	100566	T-fitting, for mounting of floating switch, 1"	piece
26	103031	Stainless steel coupling, ½"	piece
27	103032	½" Stainless steel fitting hose nozzle	piece
28	103009	Barrel nipple (double) ½" 100 mm MT V4A	piece
29	103008	Screw joint ½" conical, F/M thread V4A	piece
30	103029	½" Stainless steel coupling hose nozzle	piece
31	103030	½" Stainless steel fitting	piece
32	103051	Reduction nipple ½" to ¾", VA, hexagonal	piece
33	103255	Solenoid valve 2/2 way NO V.2021	piece
34	101378	water valve unit (NO) stainless steel Ver.:2021	piece
35	102700	Connection cable water valve	piece
36	103103	PE-0604-100M-N Pipe 6mm (by meter)	m
37	102995	Angle connector for ventilation of milk pump	piece
38	100560	Welding arc, centrifugal pump	piece

## 2.3 Heating coils

### 2.3.1 Exploded view

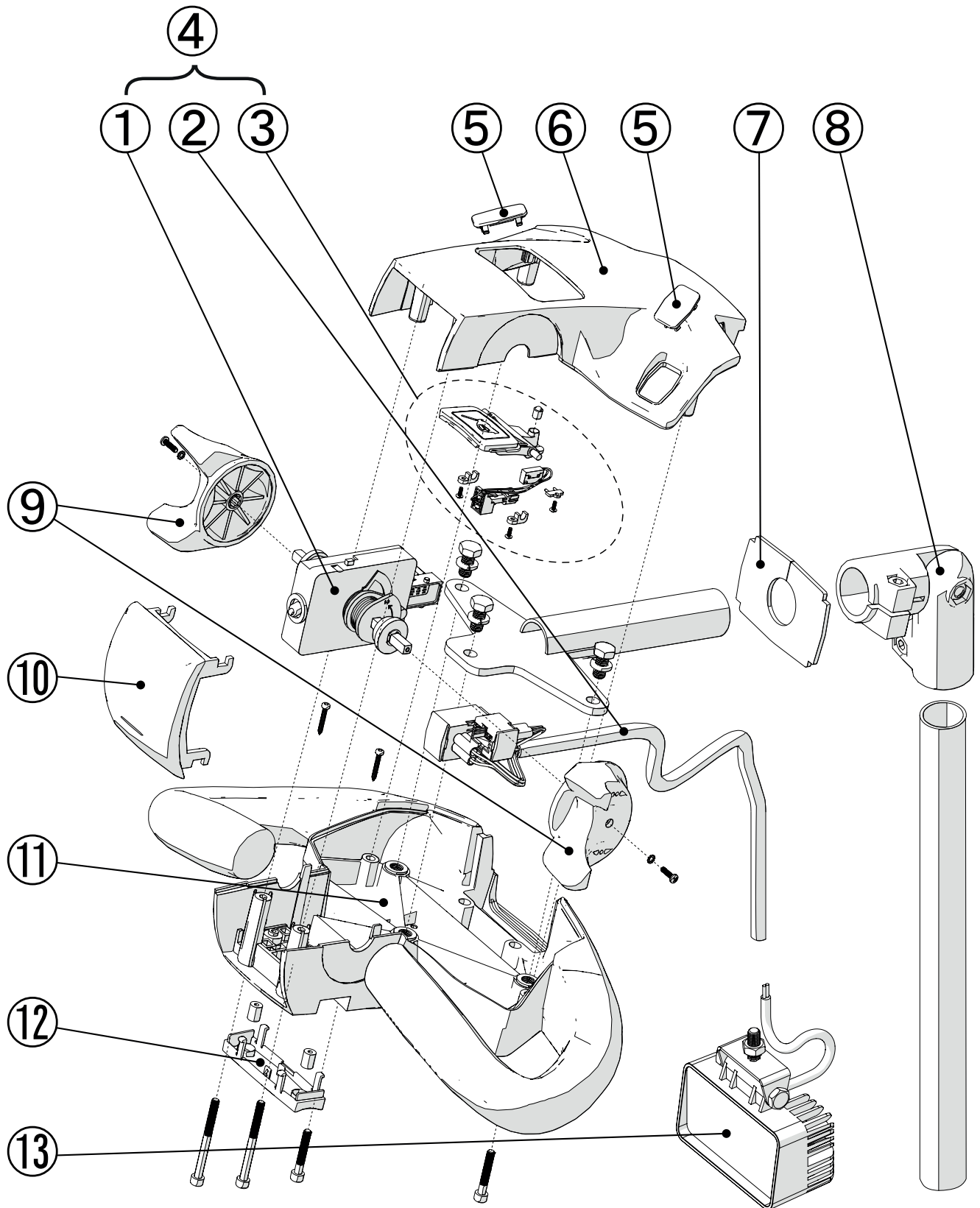


**2.3.2 List of spare parts**

Pos.	Article no.	Description	Unit
①	102615	Radiator 1st heater shrunk off	piece
②	102616	Radiator 2nd heater shrunk off	piece
③	101369	Repair set double heater, for MilkShuttle 150/200/250 litres	piece
	101368	Repair set single heater, for MilkShuttle 150/200/250 litres	piece
	101370	Repair set single heater 100 l	piece
④	102515	Temperature probe 2.00m blue spring and banjo bolt	piece
	102517	Temperature probe 2.00m red spring and banjo bolt	piece
⑤	102628	Thermal link	piece

### 3 Drawbar head

#### 3.1 Exploded view





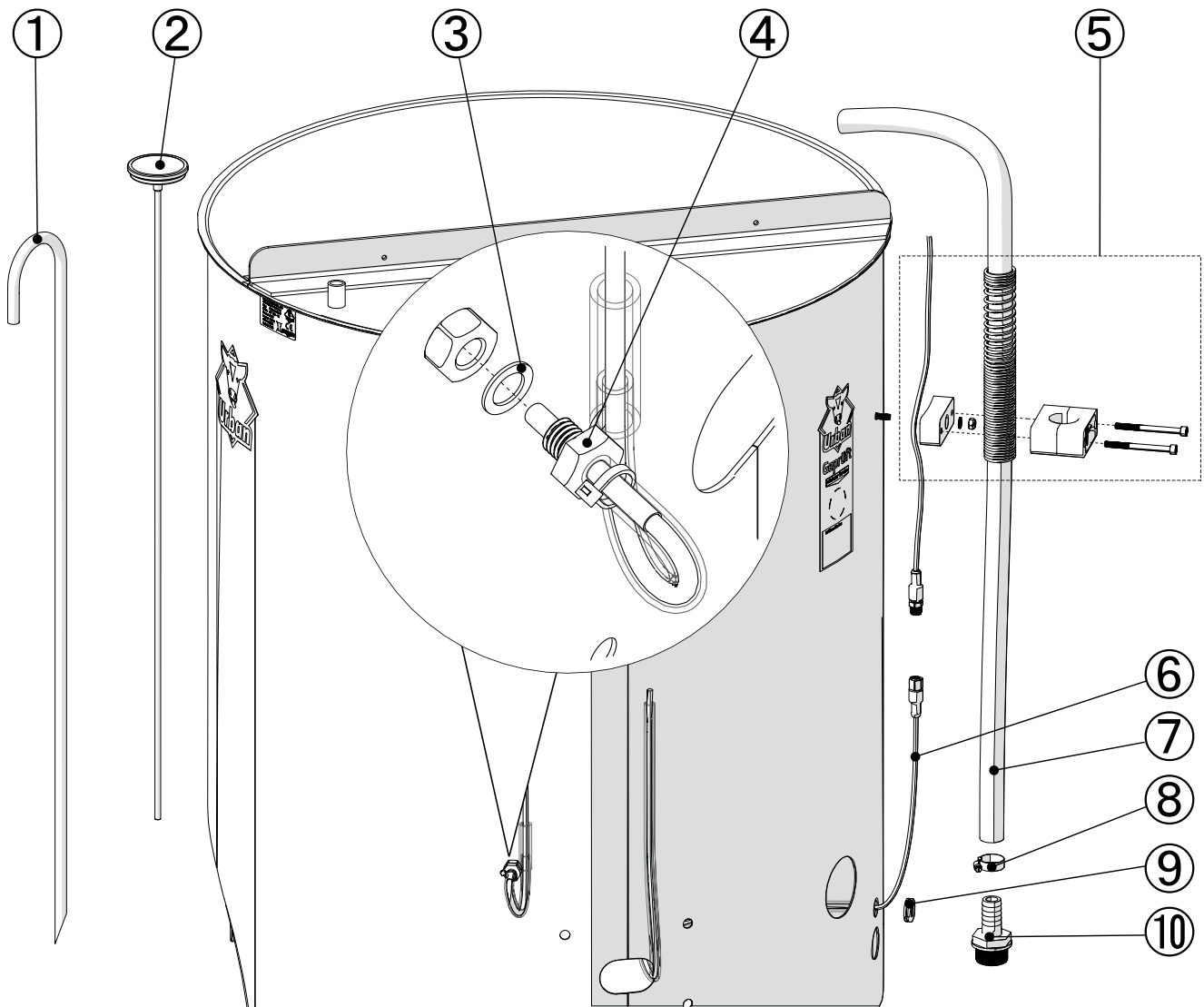
### 3.2 List of spare parts

Pos.	Article no.	Description	Unit
①	101777	Drawbar head controller, serial number G6 xxx and higher	piece
	101458	Drawbar head controller, serial number up to F5 xxx (17)	piece
②	102684	Control cable Drive switch IP65	piece
③	101455	Drawbar head pump switch set IP65	piece
④	101444	Repair kit for Drive switch IP65 from G6 xxx onwards	piece
	101441	SII - Repair kit for Drive switch up to series F5	piece
⑤	101456	Drawbar head blind plate top	piece
⑥	101452	Drawbar head housing top part	piece
⑦	100928	Pipe collar for traction switch	piece
⑧	102986	Drawbar joint	piece
⑨	101457	Drawbar head controller toggle with screw	piece
⑩	101454	Drawbar head emergency brake switch plate	piece
⑪	101451	Drawbar head housing bottom part	piece
⑫	101453	Drawbar head blind plate bottom	piece
⑬	102317	LED light (not retrofittable!)	piece

## 4 Container for liquid feed

### 4.1 Temperature sensor, Dosing hose (mounting elements included)

#### 4.1.1 Exploded view

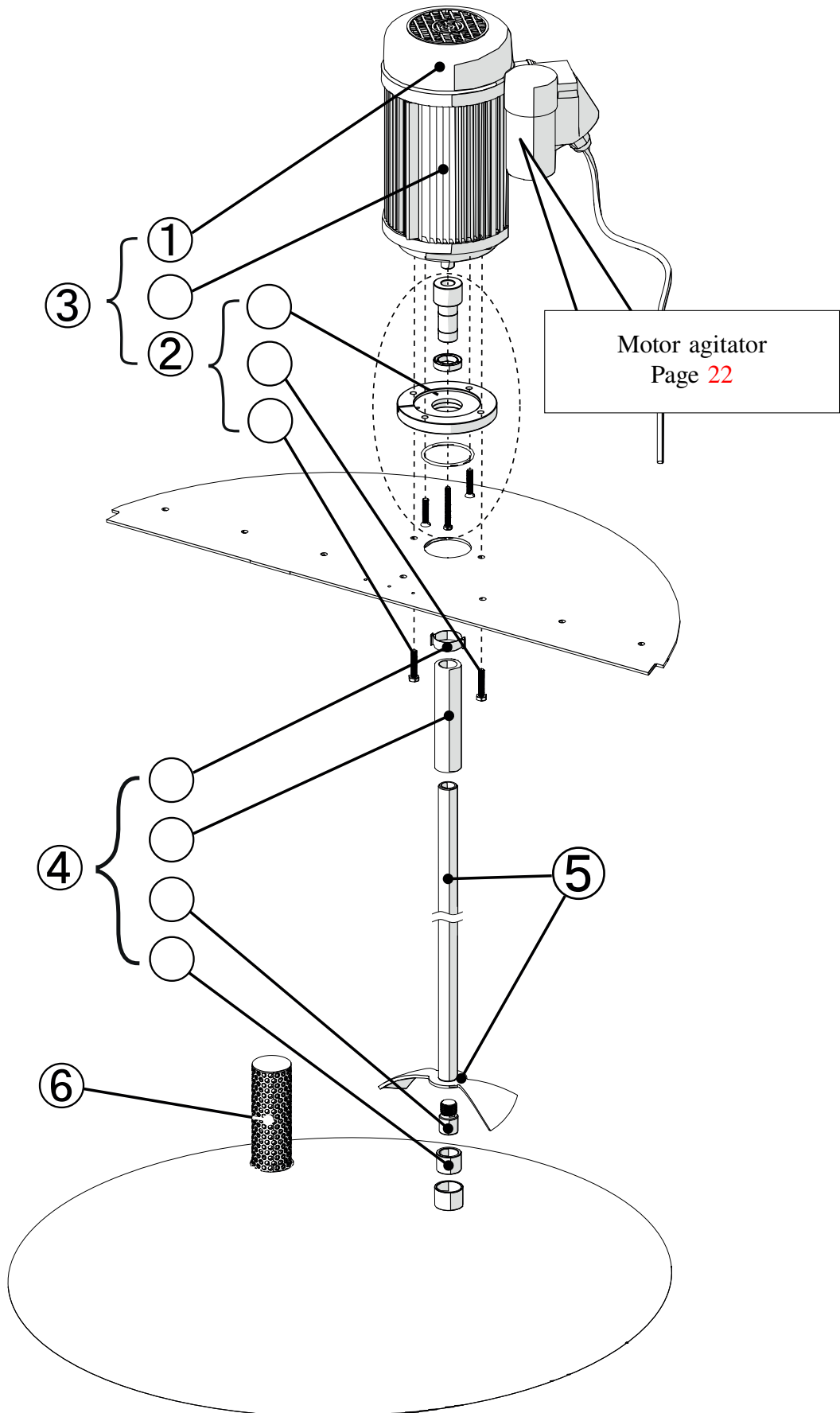


**4.1.2 List of spare parts**

Pos.	Article no.	Description	Unit
①	100684	Whole milk suction pipe, stainless steel	piece
②	102979	250 Thermometer - 720 mm	piece
③	102972	Temperature sensor seal	piece
④	101374	M/Temperature sensor UTF81 screwable	piece
⑤	101417	Retrofit kit bend protection 19 mm hose	piece
⑥	102613	Cable connection dispensing nozzle to PCB	piece
⑦	103147	Suction hose Amorvin 19 mm	m
⑧	102859	Hose clamps 9 mm width, Ø 16-27	piece
⑨	102128	Grommet, rubber	piece
⑩	102973	Hose nozzle 1" A nozzle 20 PP	piece

## 4.2 Agitator

### 4.2.1 Exploded view

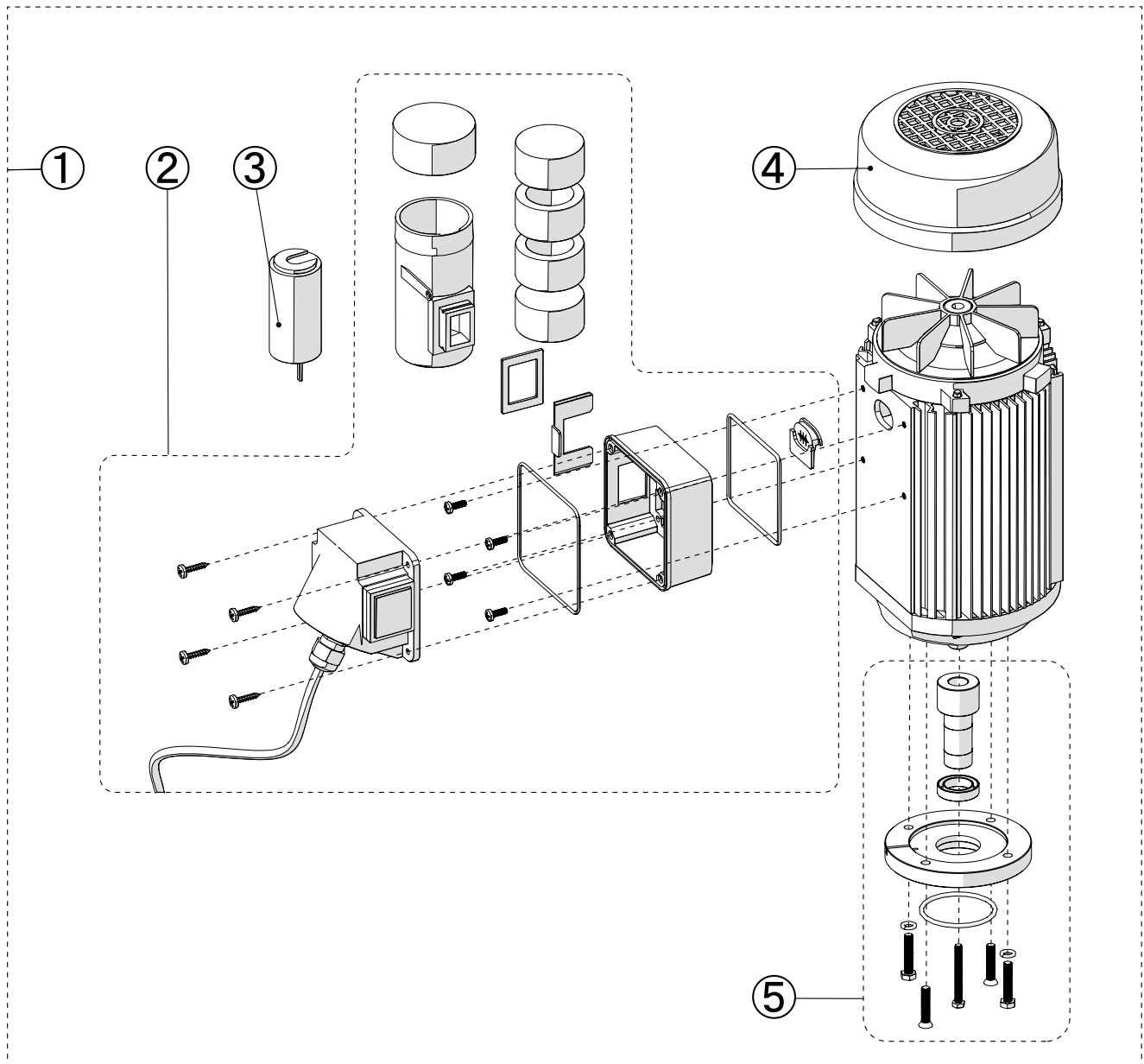


#### 4.2.2 List of spare parts

Pos.	Article no.	Description	Unit
①	103166	Agitator motor cover cap	piece
②	101361	Repair set motor adapter flange	piece
③	101122	S - Motor with flange O-ring and shaft seal	piece
④	101404	M/S Repair kit: wearing parts for agitator shaft	piece
⑤	101028	250 l Agitator with agitator blades	piece
⑥	100722	Sieve insert, pump	piece

## 4.3 Motor agitator

### 4.3.1 Exploded view



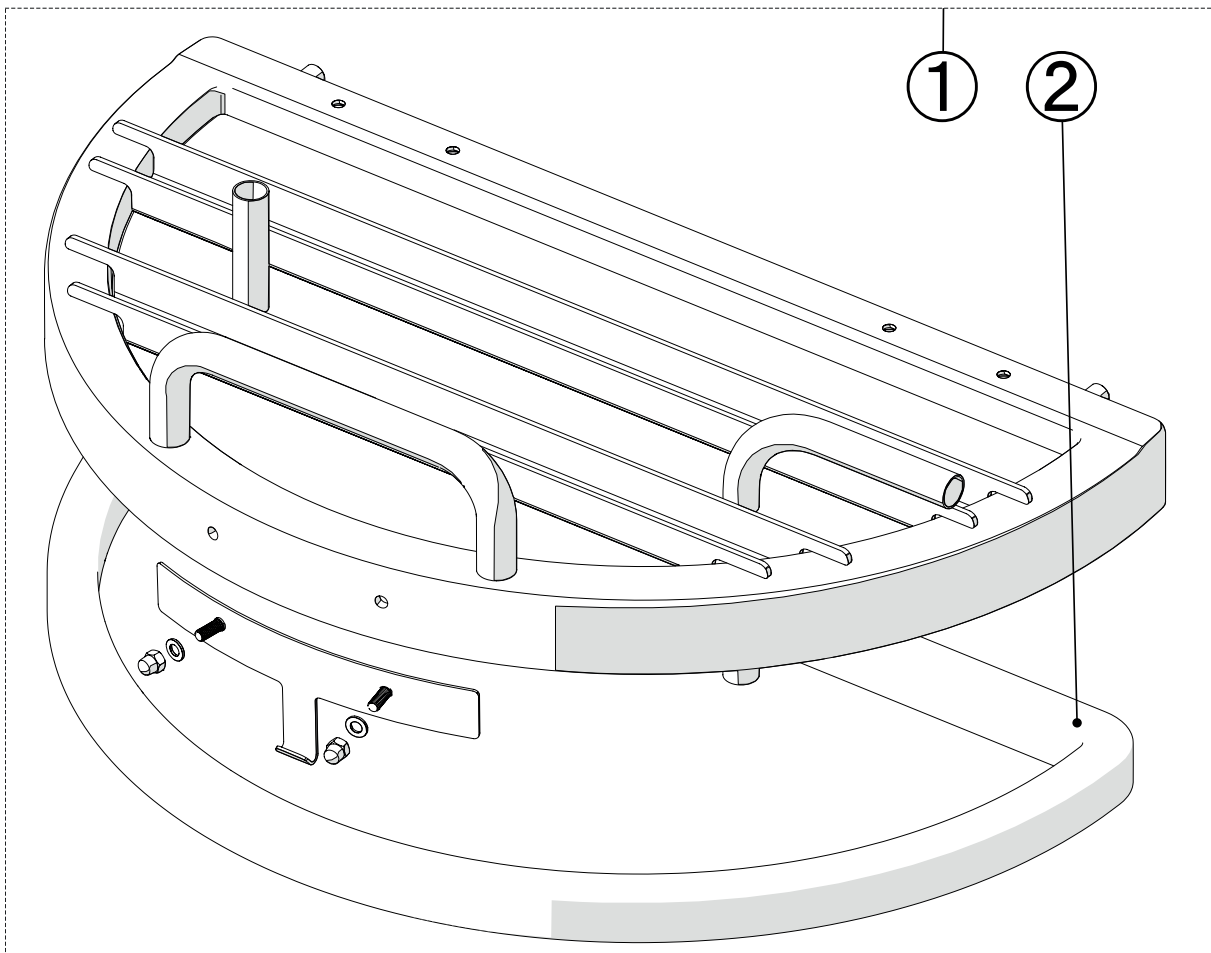
### 4.3.2 List of spare parts

Pos.	Article no.	Description	Unit
①	101122	S - Motor with flange O-ring and shaft seal	piece
②	101462	Switch unit + housing for agitator motor	piece
③	102513	Capacitor for agitator	piece
④	103166	Agitator motor cover cap	piece
⑤	101361	Repair set motor adapter flange	piece

## 4.4 Container lid

### 4.4.1 Vacuum lid

#### Exploded view

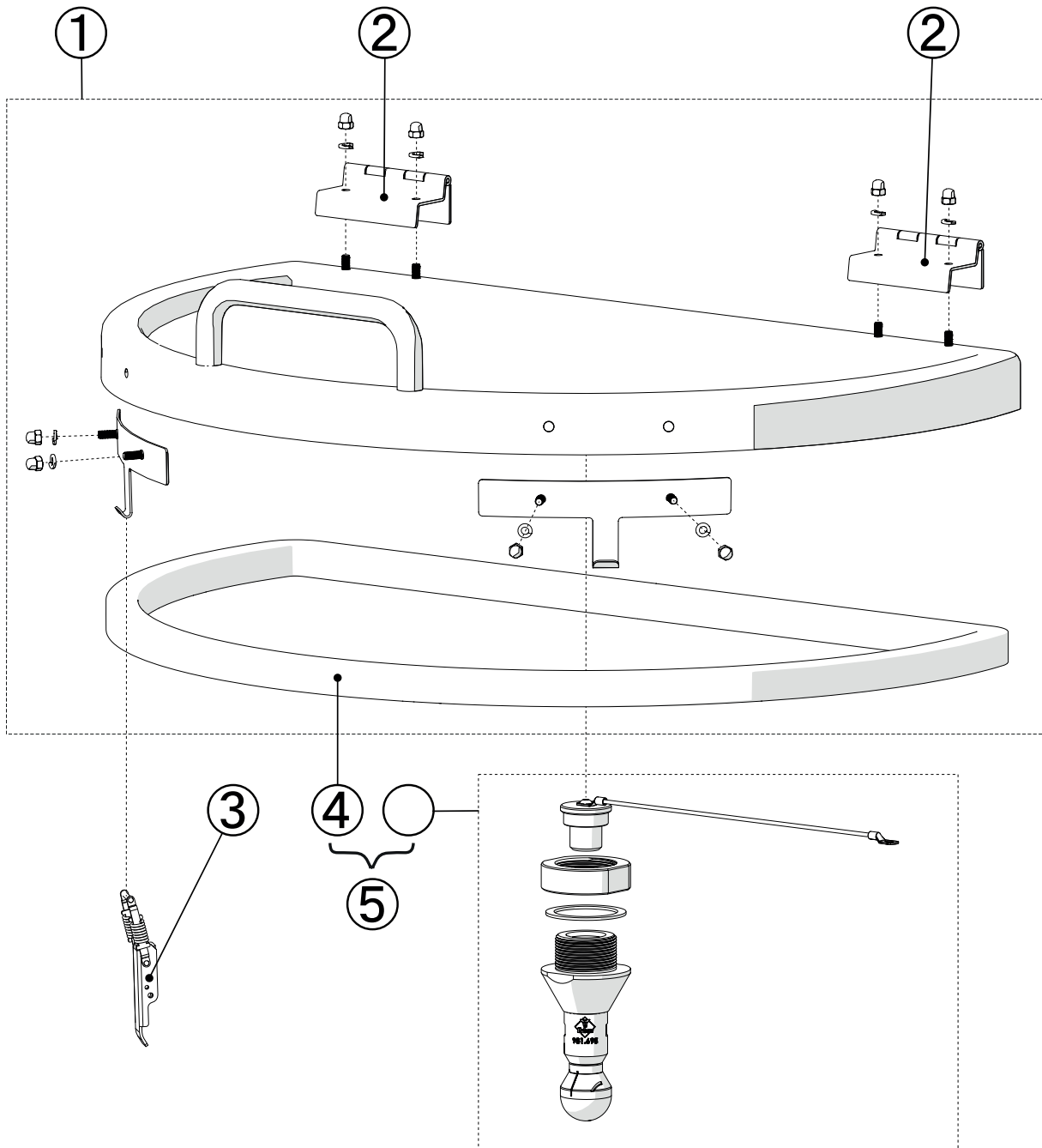


#### List of spare parts

Pos.	Article no.	Description	Unit
①	101284	Vacuum lid for MS 150, 200, 250	piece
	101285	Vacuum lid for MS 100	piece
②	103184	Lid seal, square profile, for MilkShuttle 100 l	piece
	100931	Lid seal, square profile, for MilkShuttle 150/200/250 l	piece

### 4.4.2 Basic version

#### Exploded view





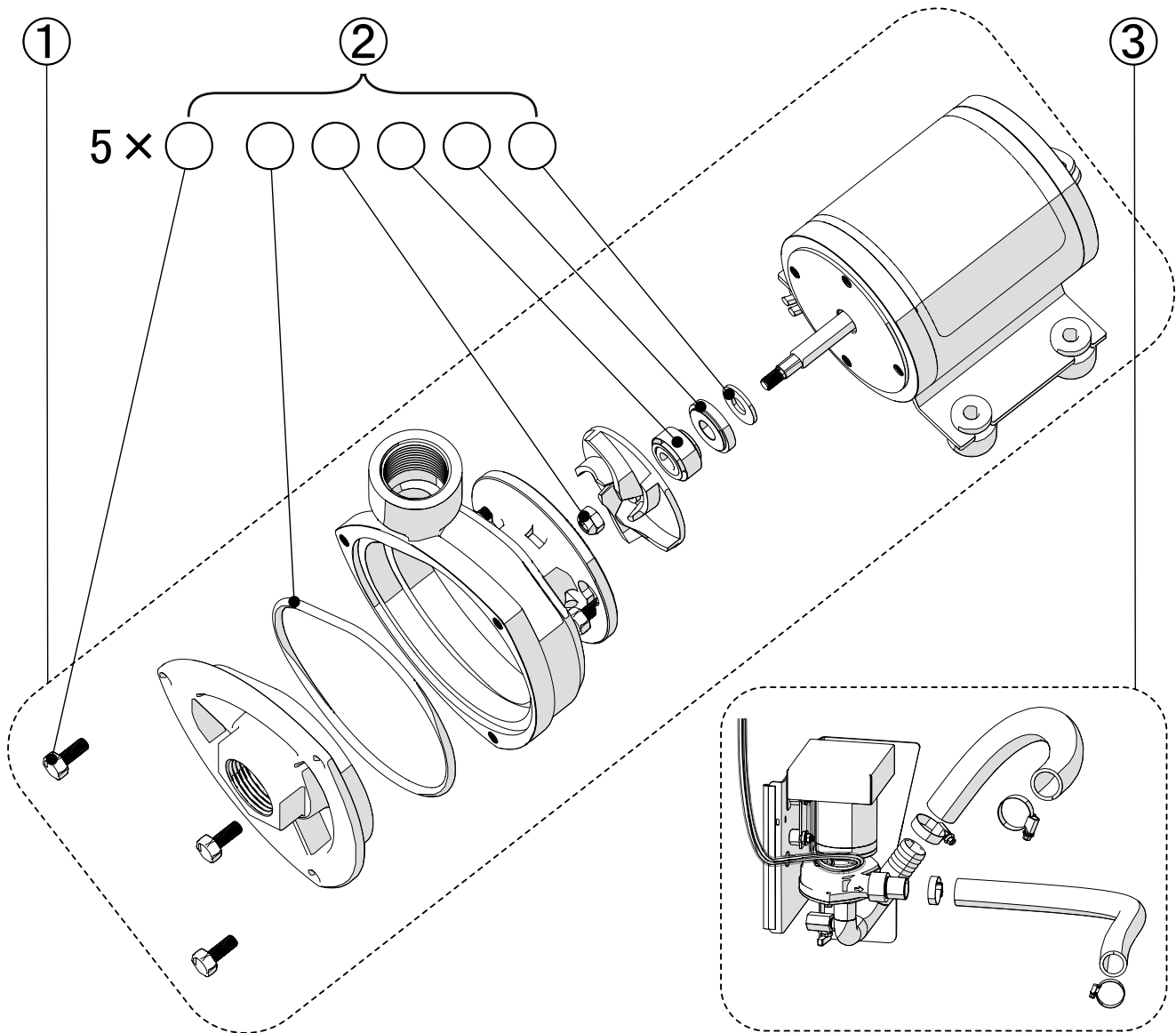
**List of spare parts**

Pos.	Article no.	Description	Unit
①	101364	Lid, complete, for MilkShuttle 150/200/250 litres	piece
	101365	Lid, complete, for MilkShuttle 100 litres	piece
②	100676	Frame joint for lid	piece
③	103387	Bent lever closure with latching device	piece
④	103184	Lid seal, square profile, for MilkShuttle 100 l	piece
	100931	Lid seal, square profile, for MilkShuttle 150/200/250 l	piece
⑤	101422	Retrofitting nozzle for rinsing, for MS 100 l	piece
	101423	SII- Retrofit Spraying head 150 - 250L	piece

## 5 Dosing system

### 5.1 Dosing pump

#### 5.1.1 Exploded view

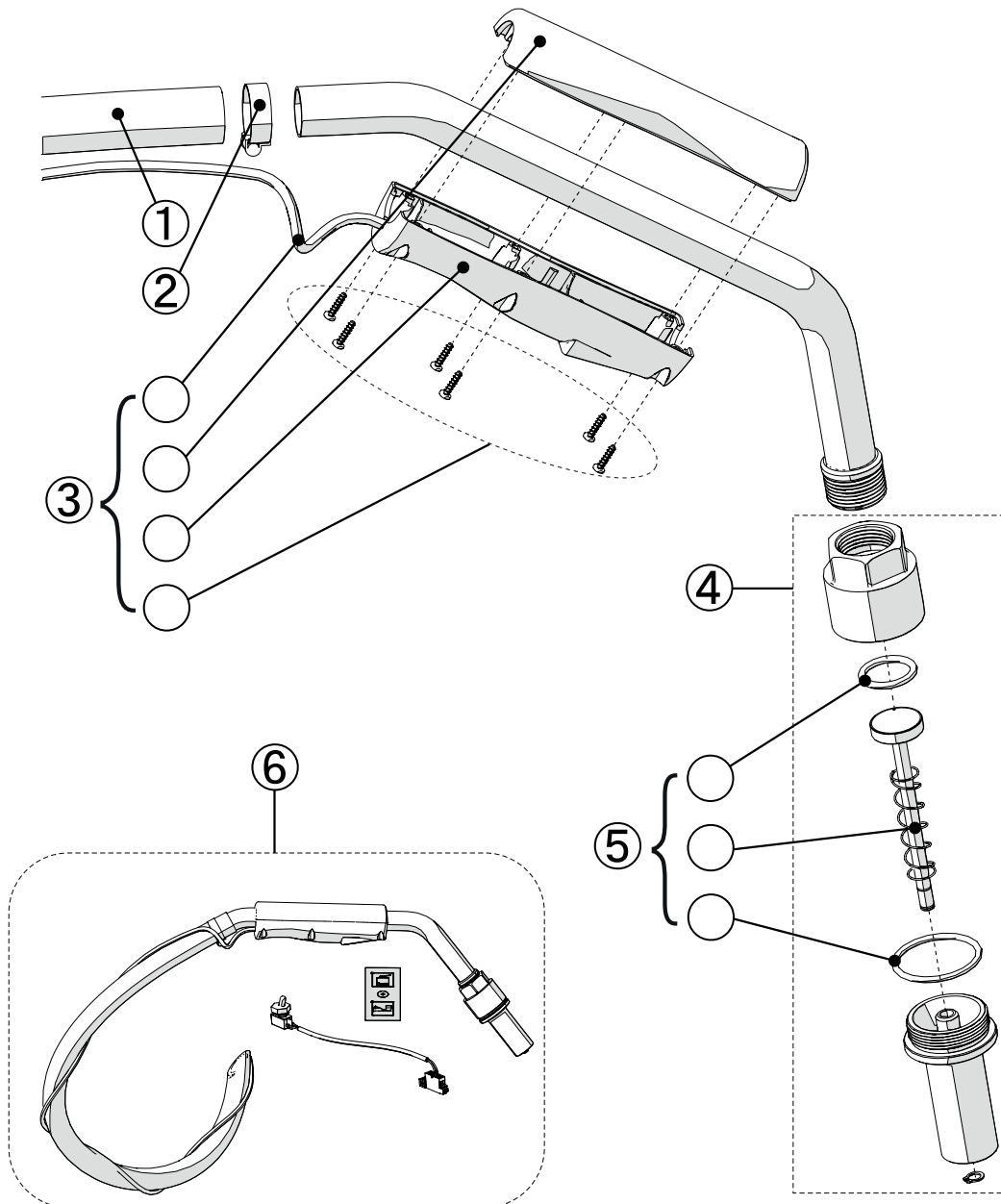


#### 5.1.2 List of spare parts

Pos.	Article no.	Description	Unit
①	102990	Stainless steel centrifugal pump 12 V	piece
②	101367	Repair set stainless steel centrifugal pump	piece
③	101396	Conversion kit stainless steel pump	piece

## 5.2 Pump nozzle

### 5.2.1 Exploded view

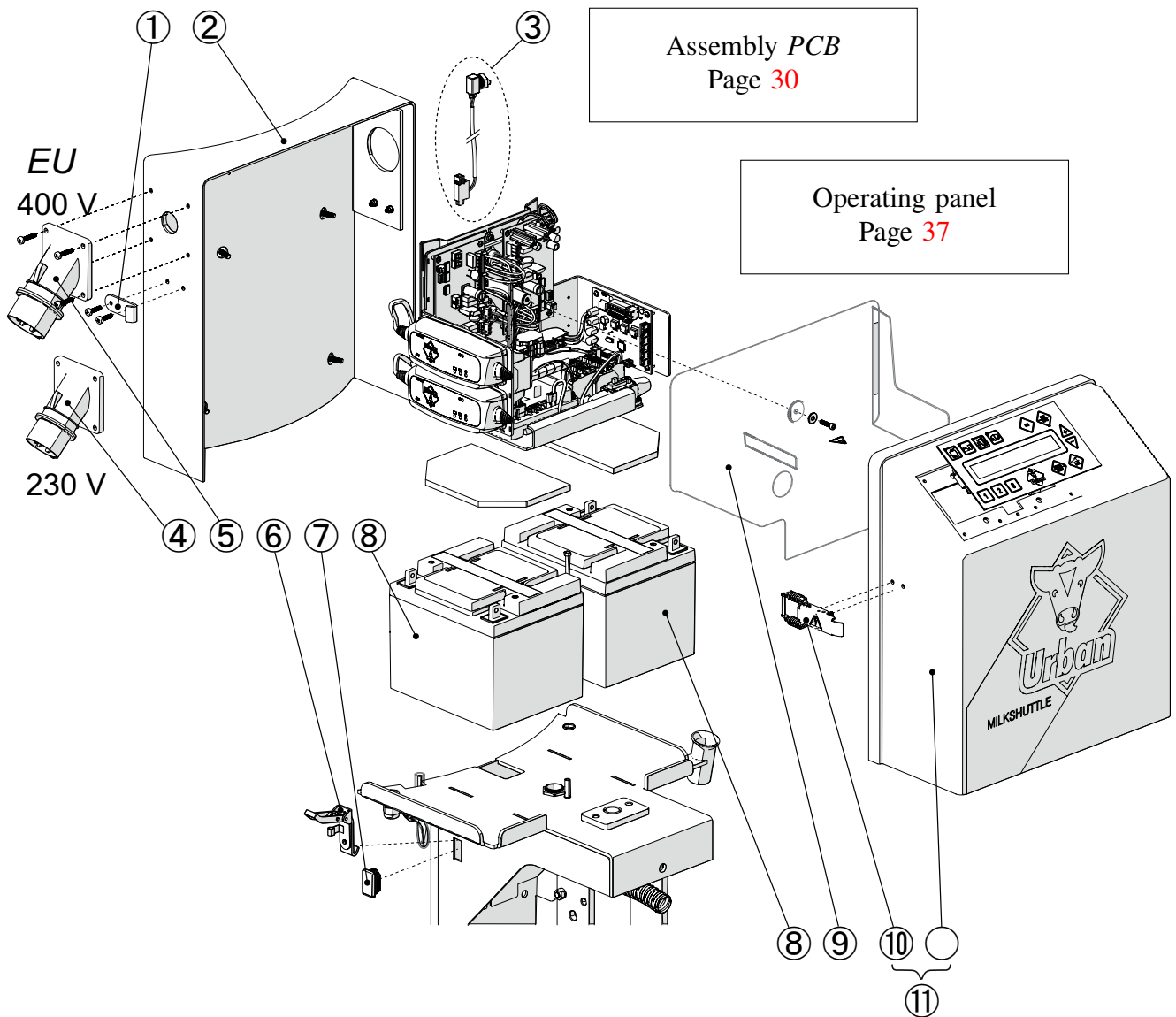


### 5.2.2 List of spare parts

Pos.	Article no.	Description	Unit
①	103147	Suction hose Amorvin 19 mm	m
②	102859	Hose clamps 9 mm width, Ø 16-27	piece
③	102599	Dosing handle top and sub part	piece
④	101116	Check valve for pump nozzle	piece
⑤	101373	O-ring and spring for non-return valve	piece
⑥	101443	Conversion kit to milk nozzle V.2016	piece

## 6 Functional group *electric control*

### 6.1 Exploded view



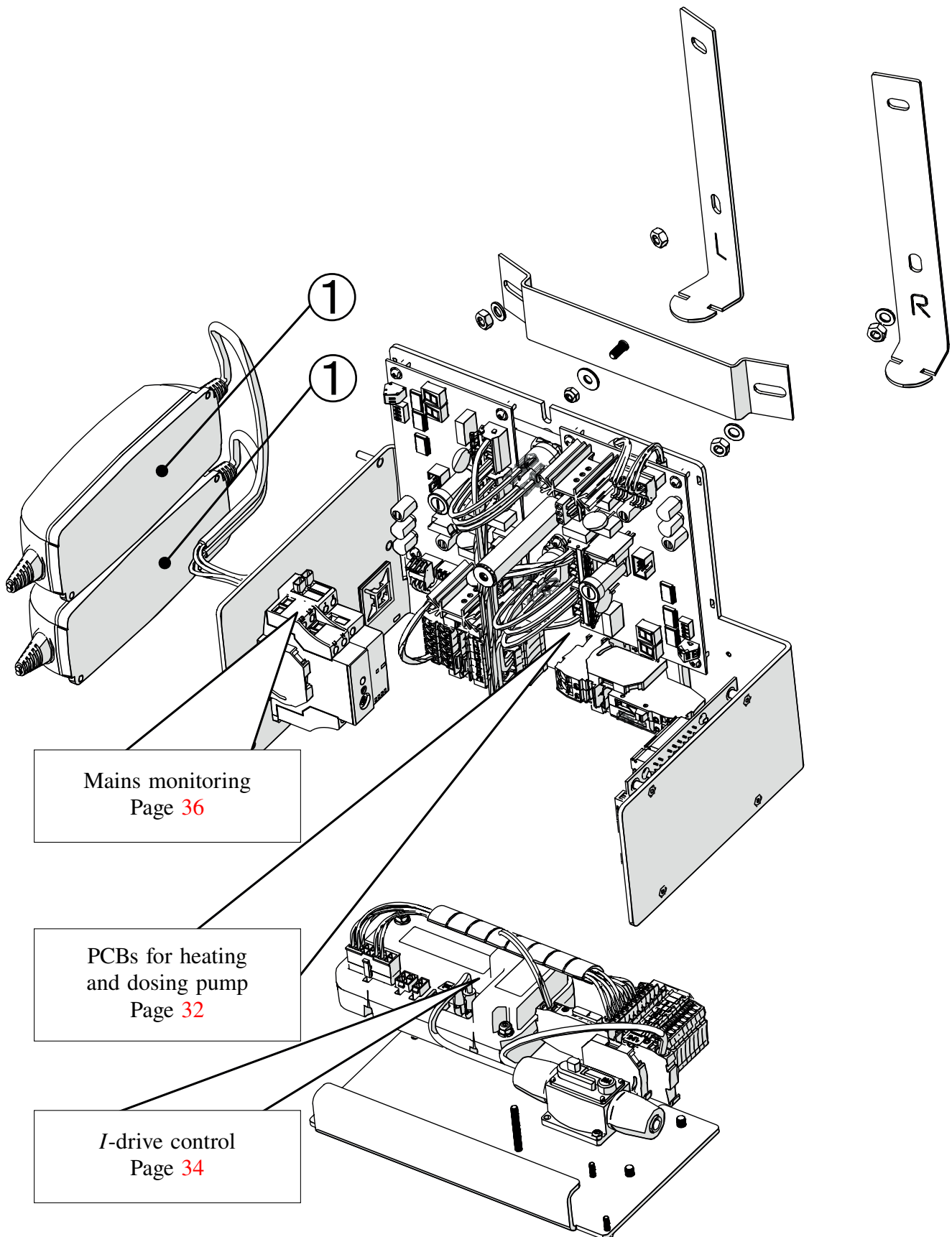
## 6.2 List of spare parts

Pos.	Article no.	Description	Unit
	103996	CEE attachment plug 32A 230V 3pin blue <sup>1</sup>	piece
①	103388	Hook for fastener with locking mechanism	piece
②	103155	Plastic hood back part 150/200/250	piece
	103167	Plastic hood back part S100	piece
③	102785	Rinse switch for nozzle retrofit kit (2017)	piece
④	102451	CEE mounting plug 16 A 3-pin	piece
⑤	102452	CEE mounting plug 16 A 400 V 5-pin	piece
⑥	100594	Fastener with hook, for insulating sheath	piece
⑦	100869	Plug insulating sheath restraint opening	piece
⑧	102289	M/Lead-acid battery, dry 12 V/45 Ah	piece
⑨	103062	Electronics cover	piece
⑩	103387	Bent lever closure with latching device	piece
⑪	101372	Red front cover	piece

<sup>1</sup>See chapter 6.6 *Power cords (for UK/Germany)*, Page 39, Position ⑫

## 6.3 Assembly PCB

### 6.3.1 Exploded view

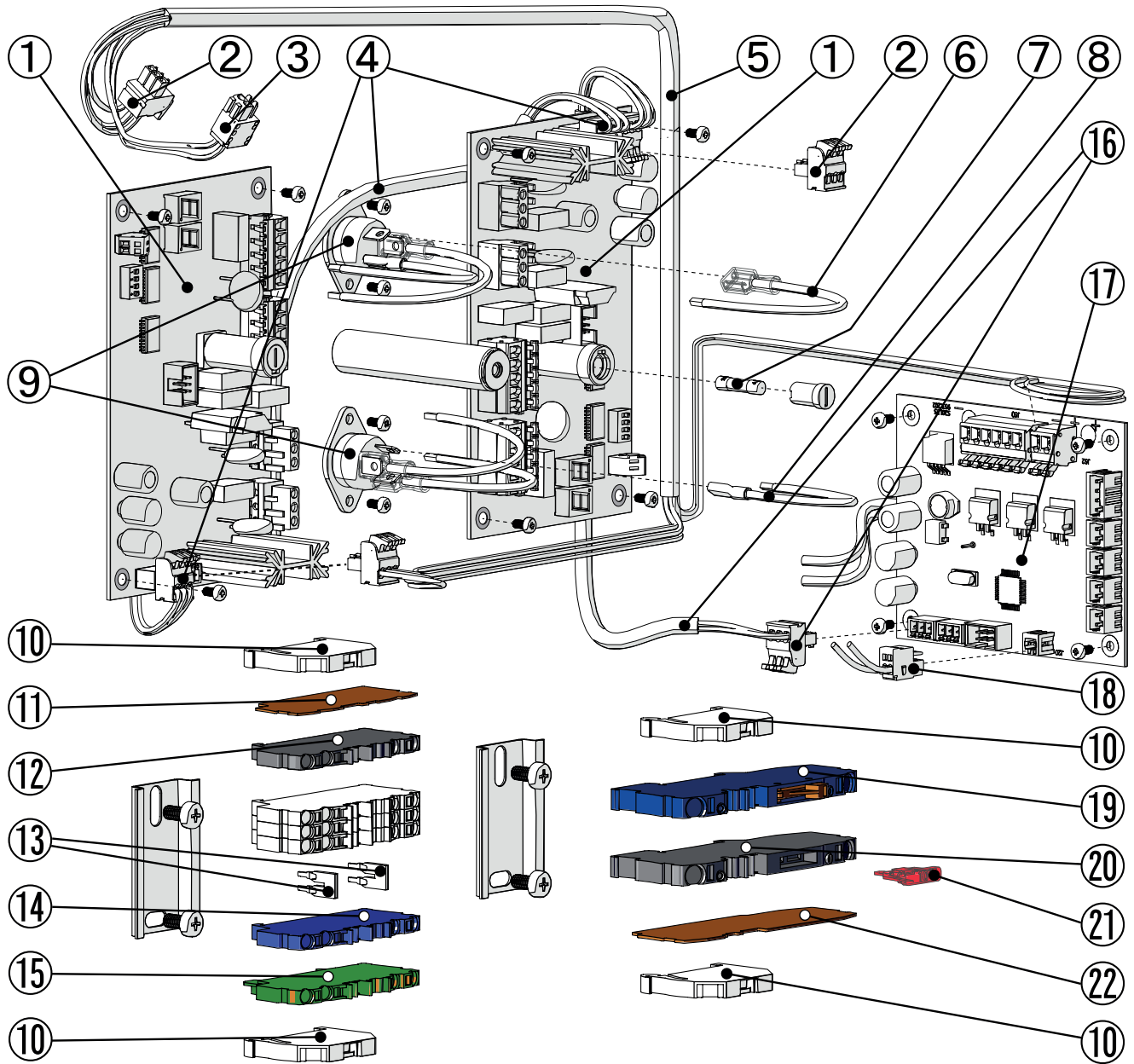


### 6.3.2 List of spare parts

Pos.	Article no.	Description	Unit
①	101405	Battery charger, model 2021	piece

### 6.3.3 PCBs for heating and dosing pump

Exploded view



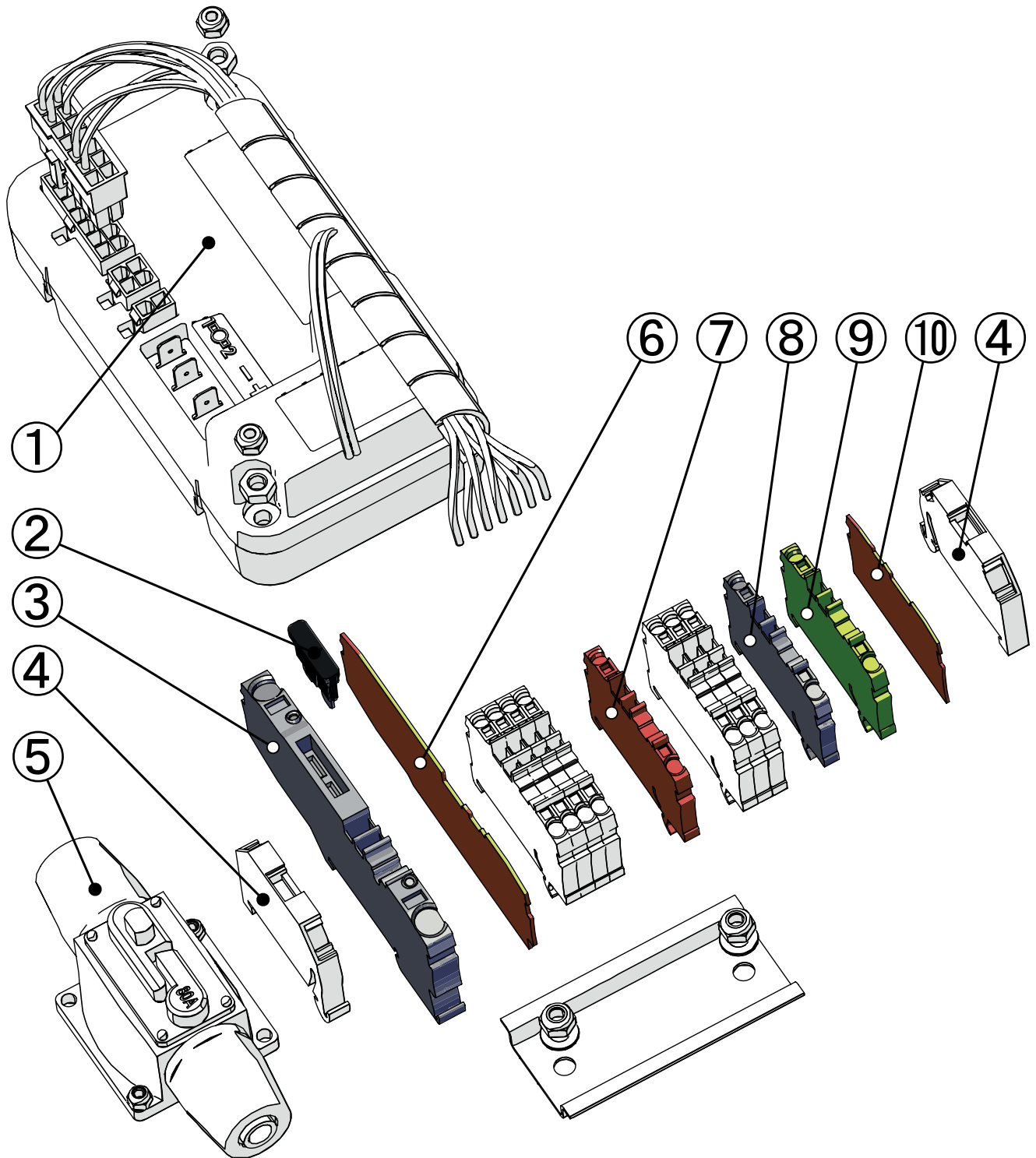


**List of spare parts**

Pos.	Article no.	Description	Unit
①	101416	Circuit board AC_V3 - 230 V control	piece
②	102437	Connector data line	piece
③	102350	Connector block, 2-pin	piece
④	102682	Connection line AC230 -AC230	piece
⑤	102681	Connection line AC230 - display	piece
⑥	102634	connection line 1 (6.3)	piece
⑦	102256	Micro-fuse 6.3 A, medium time-lag, 5 × 20 mm	piece
⑧	102632	connection line 2 (4.8)	piece
⑨	102471	Triac - BTA 25	piece
⑩	102338	WAGO screwless end terminal 249-116	piece
⑪	102374	Wago 4-conductor end and intermediate plate 2002-1492	piece
⑫	102371	Wago 4-conductor through terminal block grey 2002-1401	piece
⑬	102375	Wago staggered jumper 2-fold 2002-472 grey	piece
⑭	102372	Wago 4-conductor through terminal block blue 2002-1404	piece
⑮	102373	Wago 4-conductor earth terminal block grn-yel 2002-1407	piece
⑯	102683	SII - Connection line AC230 - pump control	piece
⑰	101415	S40L46 24/12V pump control board	piece
⑱	102346	Connector block, 2-pin	piece
⑲	102343	Wago 2-conductor disc. terminal blue 2006-1674	piece
⑳	102369	WAGO fuse terminal block 2006-1681	piece
㉑	102295	Blade-type fuse 10 A	piece
㉒	102370	WAGO intermediate plate 2006-1692	piece

### 6.3.4 I-drive control

Exploded view

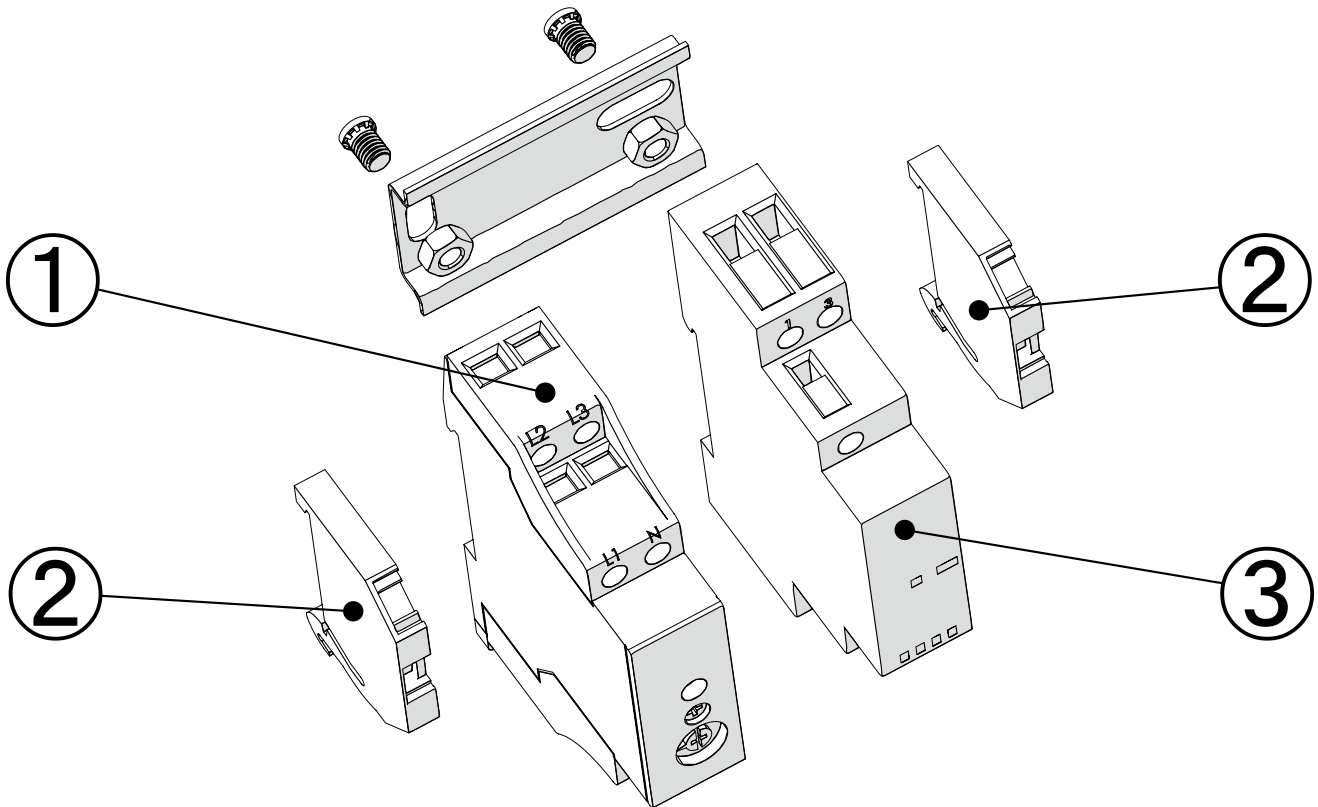


**List of spare parts**

Pos.	Article no.	Description	Unit
①	101414	Drive control i-Drive for MS + MSP since serial number G6 xxx	piece
	101413	i-Drive for MS + MSP up to and incl. serial number F5 xxx	piece
②	102292	Blade-type fuse 1 A	piece
③	102369	WAGO fuse terminal block 2006-1681	piece
④	102338	WAGO screwless end terminal 249-116	piece
⑤	102313	Safety cutout 80 A propelling drive	piece
⑥	102370	WAGO intermediate plate 2006-1692	piece
⑦	102377	Wago 2-conductor through terminal block 2001-1203 red	piece
⑧	102345	Wago 2-conductor through terminal block 2001-1201 grey	piece
⑨	102376	Wago 2-conductor earth terminal block 2001-1207 grn/yel	piece
⑩	102344	Wago 2-conductor end and intermediate plate 2002-1292	piece

### 6.3.5 Mains monitoring

#### Exploded view

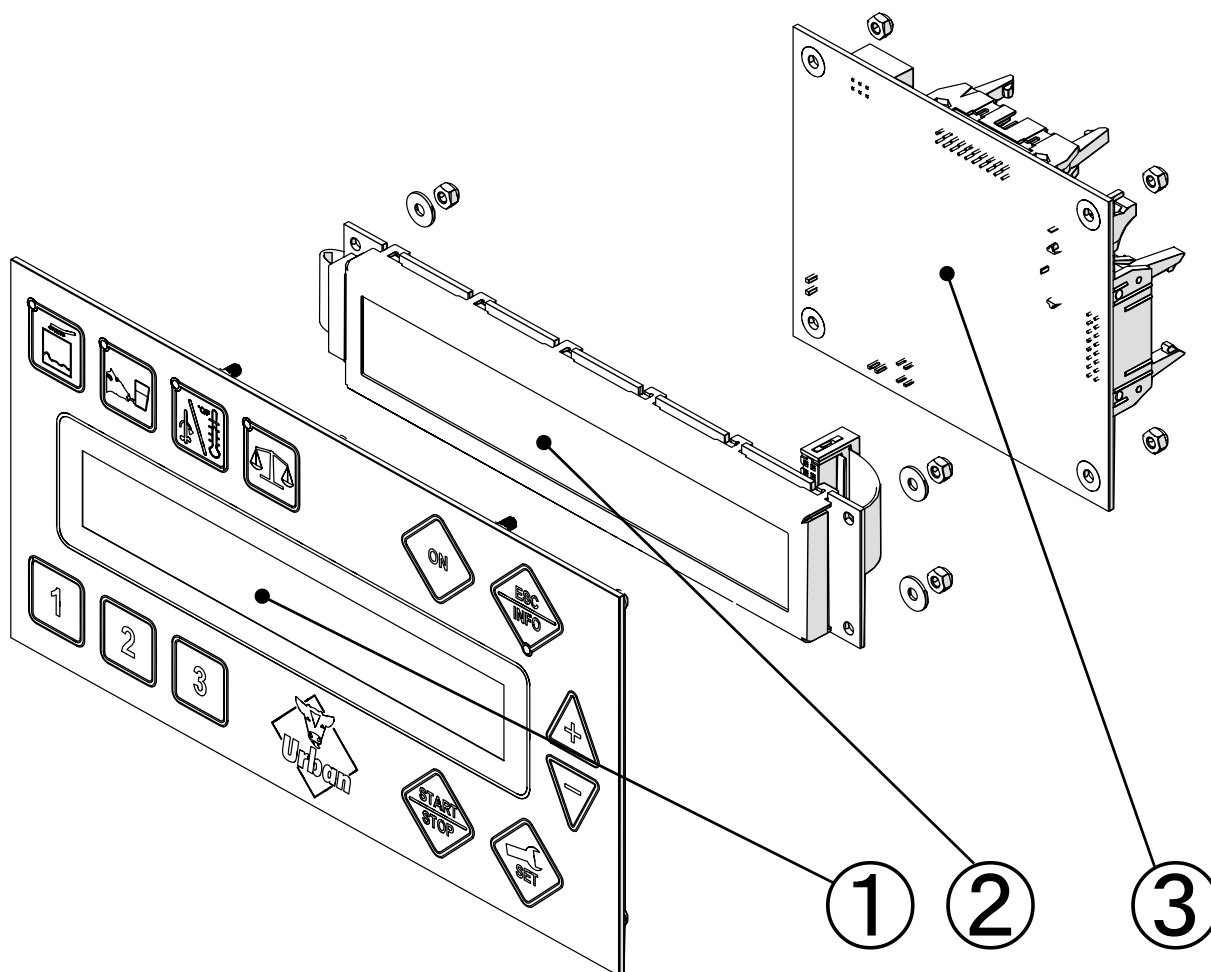


#### List of spare parts

Pos.	Article no.	Description	Unit
①	104351	SII - Mains monitoring relay	piece
②	102338	WAGO screwless end terminal 249-116	piece
③	102314	Installation contactor 440 V 25 A	piece

## 6.4 Operating panel (LCD display + Membrane keyboard)

### 6.4.1 Exploded view



### 6.4.2 List of spare parts

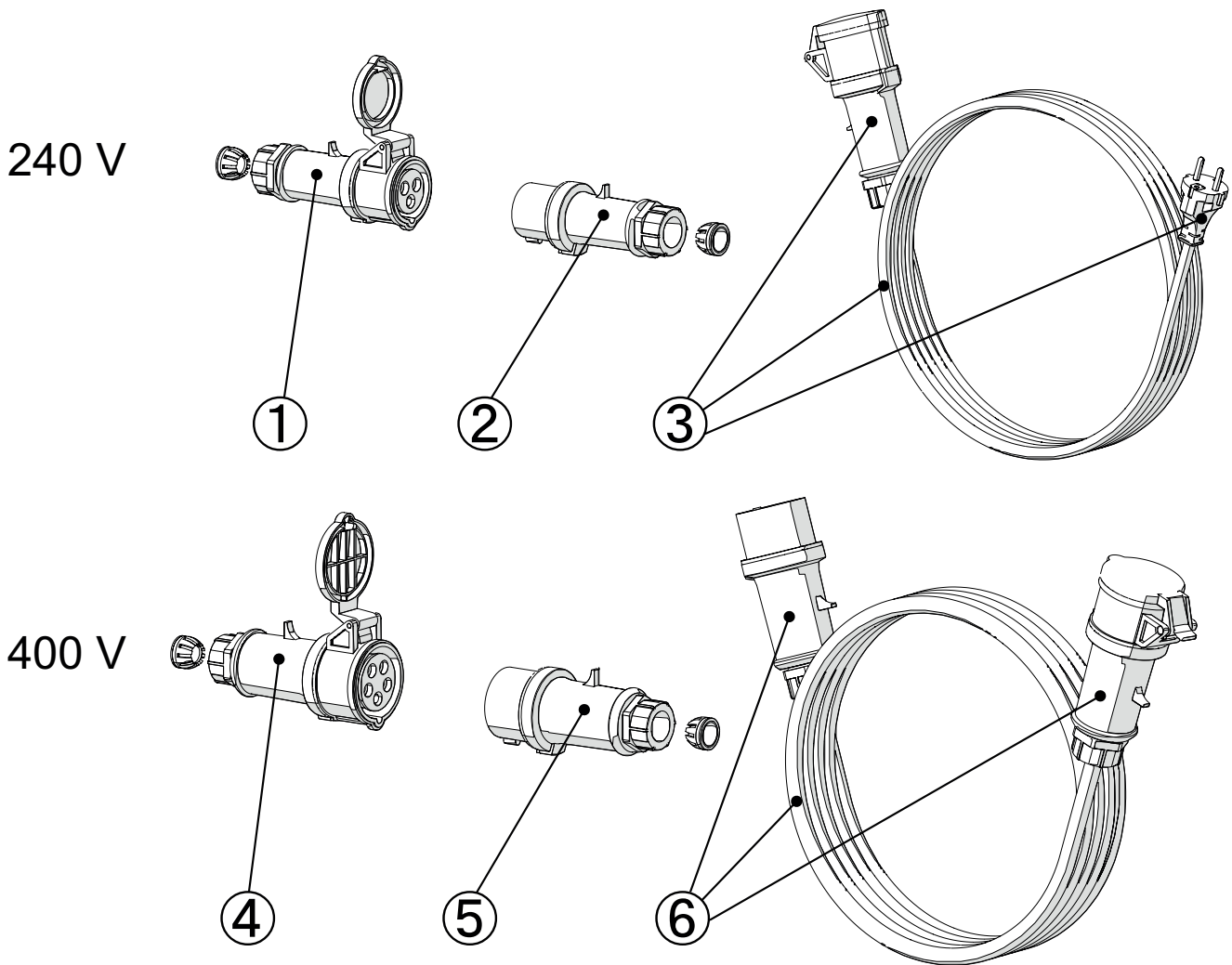
Pos.	Article no.	Description	Unit
①	104347	SII - Keyboard DIM A 220	piece
②	104387	SII - Display with cables and connectors	piece
③	101395	PCB DIM A220 MSP from F5xxx / MSII from G6xxx, all languages	piece
	101411	DIM A220 board Milk Shuttle up to serial no. F5xxx	piece



When ordering DIM A PCB № 101411, don't forget to specify the language pack needed! (See chapter [10.3 Available language packs](#), Page 45)

## 6.5 Power cords

### 6.5.1 Illustration

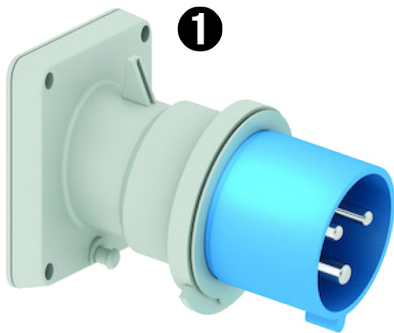


### 6.5.2 List of spare parts

Pos.	Article no.	Description	Unit
①	102435	CEE coupling 3-pin with screw connection	piece
②	102433	CEE connector 3 pin with screw connection, blue	piece
③	102677	Mains connection cable 230 V	piece
④	102428	CEE coupling 5P 16 A 400 V	piece
⑤	102427	CEE connector 5P 16 A 400 V type 33	piece
⑥	102678	Feeder cable 400 V	piece

## 6.6 Power cords (for UK/Germany)

Pos.	Article no.	Description	Unit
①	103996	CEE attachment plug 32A 230V 3pin blue	piece
②	102454	CEE line plug 32A 230V 3pole	piece
③	102455	CEE cable coupling 32A 230V 3pole	piece



## 7 Maintenance parts

### 7.1 Hose kits for maintenance

See chapter 2.2.1 *Hose kits for maintenance*, Page 11, Position ④

### 7.2 Inspection sticker

Article no.	Description	Unit
103312-02	Missing translation: EN	piece

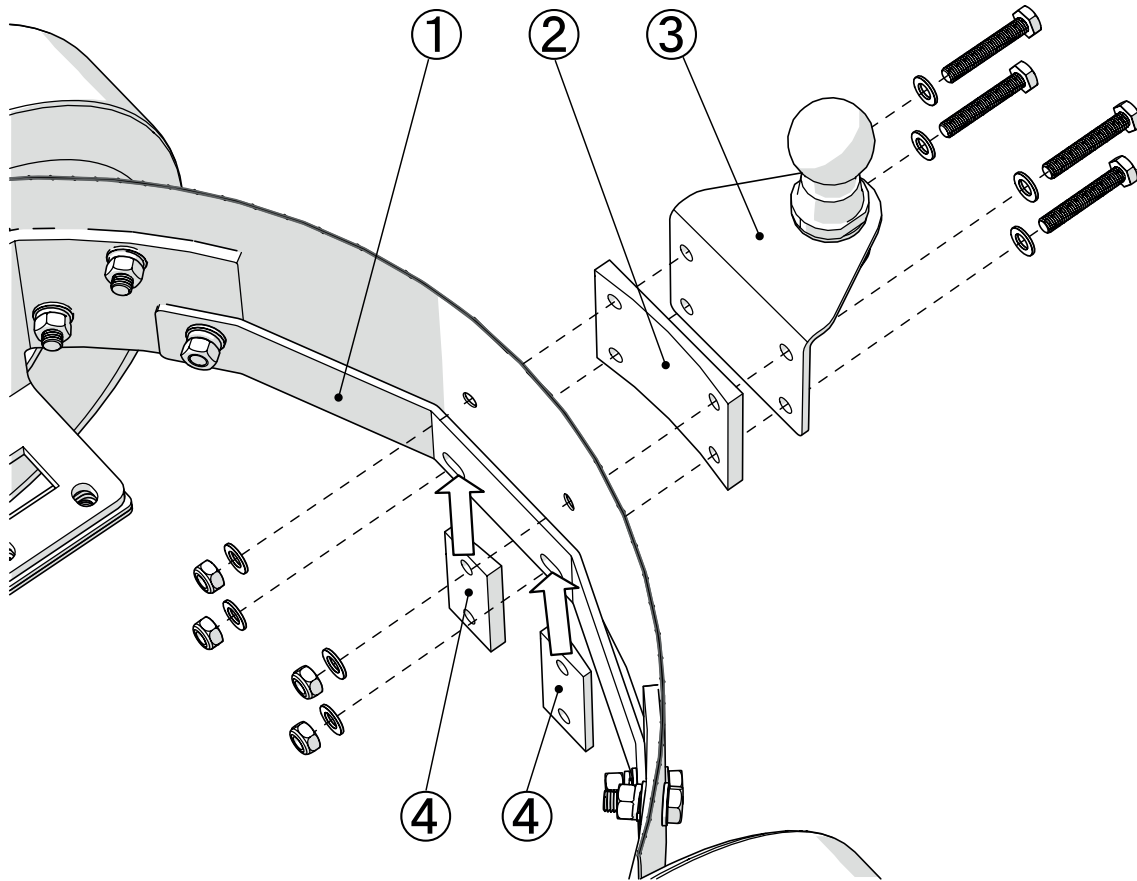




## 8 Retrofit kits

### 8.1 Retrofit kit *Tow ball* (104045 / 101303)

#### 8.1.1 Exploded view



#### 8.1.2 Retrofit kit (complete)

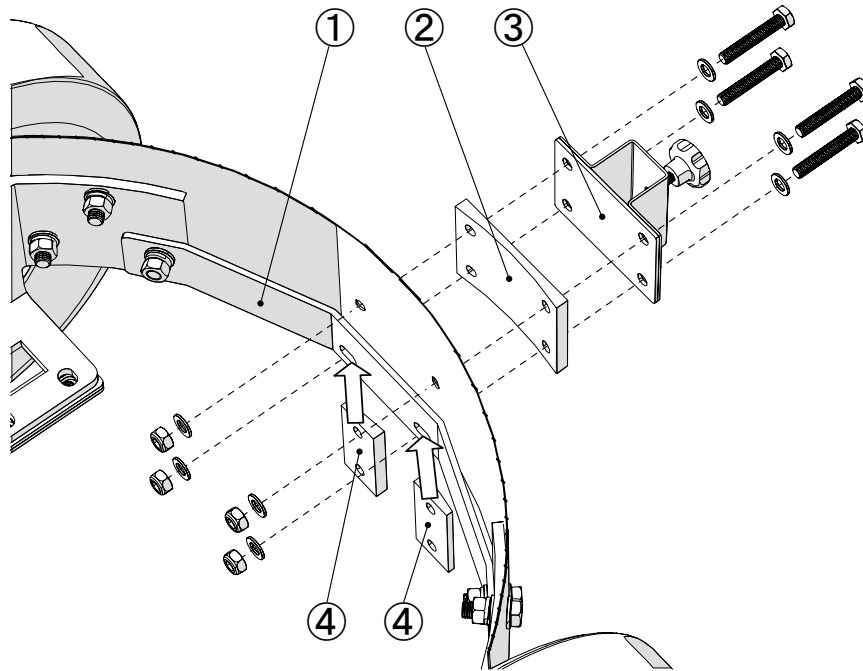
Article number	Description	Unit
104045	Caddy coupling MS 100L	piece
101303	Caddy coupling MS 150 - 250	piece

#### 8.1.3 Selected parts of retrofit kit

Position	Description
①	Reinforcement plate for rear mounting
②	Adaptor plate, outer side of container
③	Tow ball including holder plate
④	Adaptor plate, inner side of container

## 8.2 Retrofit kit *Bucket carrier* (101420)

### 8.2.1 Exploded view



### 8.2.2 Retrofit kit (complete)

Article no.	Description	Unit
101420	Bracket for Bucket holder or Bucket tray MS 150 - 250	piece

### 8.2.3 Selected parts of retrofit kit

Position	Description
①	Reinforcement plate for rear mounting
②	Adaptor plate, outer side of container
③	Square bracket for teat bucket carrier
④	Adaptor plate, inner side of container

### 8.3 Retrofit kit *Spray nozzle* (101422 / 101423)

See chapter 4.4.2 *Container lid, Basic version*, Page 24, Position ⑤

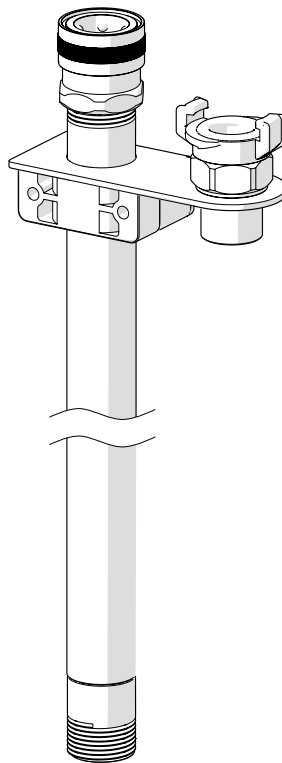
### 8.4 Retrofit kit *Bend protection for dosing hose* (101417)

See chapter 4 *Container for liquid feed*, Page 18, Position ⑤

### 8.5 Retrofit kit *Connection for drenching equipment* (101421)

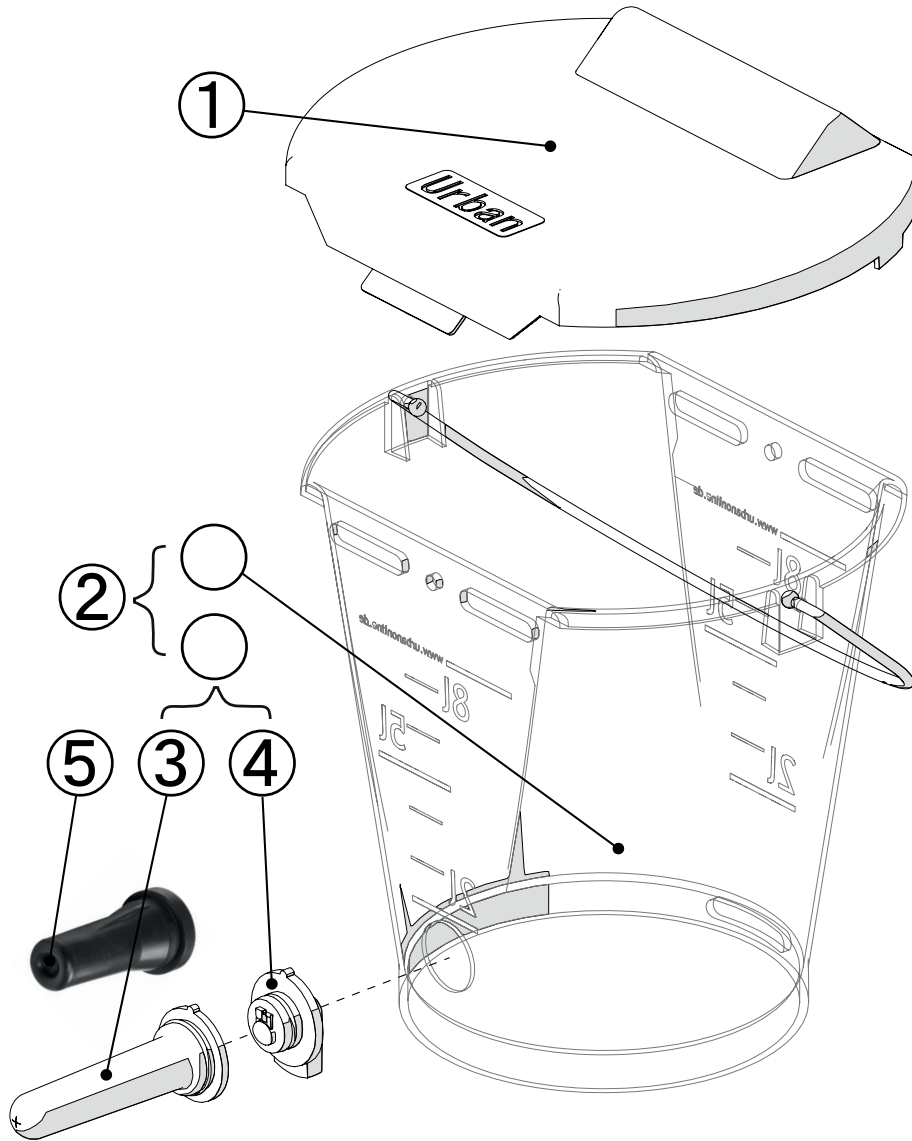
#### 8.5.1 Retrofit kit (complete)

Article number	Description	Unit
101421	Drench connector	piece



## 9 Teat bucket

### 9.1 Illustration



### 9.2 List of spare parts

Pos.	Article no.	Description	Unit
①	103920	Lid for transparent feeding bucket	piece
②	103919	Feeding bucket, transparent, antibacterial	piece
③	103921	Teat / Nipple red (antibacterial), cross	piece
④	103922	1-Click valve for drinking bucket transparent, antibacterial	piece
⑤	104673	Milk Bar™ Teat for feeding bucket	piece

## 10 MilkShuttle Firmware

### 10.1 Available Languages

Language code <sup>1</sup>	Language	Language pack
BG	Bulgarian	E, Z
CN	Chinese	D, Z
CS	Czech	C, Z
DA	Danish	B, Z
DE	German	A, B, C, D, E, Z
EN	English	A, B, C, D, E, Z
ES	Spanish	A, Z
FI	Finnish	B, Z
FR	French	A, Z
HR	Croatian	E, Z
HU	Hungarian	E, Z
IT	Italian	A, Z

Language code <sup>1</sup>	Language	Language pack
LV	Latvian	C, Z
LT	Lithuanian	C, Z
NL	Dutch	A, Z
NO	Norwegian	B, Z
PL	Polish	C, Z
PT	Portuguese	A, Z
RO	Romanian	E, Z
RU	Russian	C, Z
SL	Slovene	E, Z
SV	Swedish	B, Z
TR	Turkish	E, Z

<sup>1</sup>according to ISO 639-1

### 10.2 Article no. 101395: PCB DIMA220 MSP from F5xxx / MSII from G6xxx, all languages



The firmware of this board contains all available languages (language pack Z).

### 10.3 Article no. 101411: DIMA220 board Milk Shuttle up to serial no. F5xxx



When ordering DIMA PCB № 101411, don't forget to specify the language pack needed!

#### Available language packs

Pack A	Pack B	Pack C	Pack D	Pack E
German, English (present in all packages)				
French (FR)	Danish (DA)	Latvian (LV)	Chinese (CN)	Bulgarian (BG)
Italian (IT)	Finnish (FI)	Lithuanian (LT)	(Pinyin	Croatian (HR)
Dutch (NL)	Norwegian (NO)	Polish (PL)	Transliteration)	Romanian (RO)
Portuguese (PT)	Swedish (SV)	Russian (RU)		Slovene (SL)
Spanish (ES)		Czech (CS)		Turkish (TR)
				Hungarian (HU)

## Index: Article description

### Symbols

*I*-drive control ..... 34

### A

Agitator ..... 20

    Motor ..... 20, 22

Available language packs ..... 45

### B

Bottom section ..... 8

### C

Container for liquid feed ..... 18

    lid ..... 23

### D

Display ..... 37

Dosing pump ..... 26

Dosing system

    Dosing hose ..... 18

    Dosing pump ..... 10, 12, 26

    Pump nozzle ..... 27

Drain tap ..... 10

Drawbar head ..... 16

Drenching equipment, connector ..... 43

### E

Electric control ..... 28

### H

Heating coils ..... 14

Hose lines

    Bottom section ..... 10

    Dosing ..... 18

    Service kit ..... 11

### I

*I*-drive control ..... 34

Inspection sticker ..... 40

### K

Keyboard ..... 37

### L

LCD display ..... 37

### M

Mains monitoring ..... 36

Maintenance parts ..... 11, 40

    Hoses ..... 11

    Inspection sticker ..... 40

Membrane keyboard ..... 37

MilkShuttle Pasteurizer ..... 12

Motor

    Agitator ..... 20, 22

    Traction drive ..... 9

### N

Nipple bucket ..... 44

### O

Operating panel ..... 37

### P

PCB ..... 30

    Control for heating and dosing pump ..... 32

    Mains monitoring ..... 36

*I*-drive control ..... 34

Power cords ..... 38

Pump

    Dosing ..... 10

### R

Repair kit

    Agitator ..... 21, 22

    Dosing pump ..... 26

    Drive control ..... 17

    Heating coils ..... 15

Retrofit kit

    Bend protection for dosing hose ..... 19

    Bucket carrier ..... 42

    Connection for drenching equipment ..... 43

    Spray nozzle ..... 25

    Tow ball ..... 41

Retrofit kits ..... 41

### T

Teat bucket ..... 44

Temperature sensor ..... 18

Traction drive ..... 8

### W

Wheel mounting ..... 8

Wheels ..... 8

## Index: Article numbers



Hover the mouse over the article number in order to see an article description (with Acrobat Reader).

### Numbers

100120 .....	11	101420 .....	42	102428 .....	38
100529 .....	11, 13	101420 .....	42	102433 .....	38
100560 .....	11, 13	101421 .....	43	102435 .....	38
100566 .....	11, 13	101422 .....	25	102437 .....	33
100594 .....	29	101423 .....	25	102451 .....	29
100597 .....	11, 12	101441 .....	17	102452 .....	29
100604 .....	11	101443 .....	27	102454 .....	39
100622 .....	9	101444 .....	17	102455 .....	39
100676 .....	25	101451 .....	17	102470 .....	11, 13
100684 .....	19	101452 .....	17	102471 .....	33
100722 .....	11, 13, 21	101453 .....	17	102513 .....	22
100853 .....	9	101454 .....	17	102515 .....	15
100869 .....	29	101455 .....	17	102517 .....	15
100928 .....	17	101456 .....	17	102599 .....	27
100931 .....	23, 25	101457 .....	17	102611 .....	9
101028 .....	21	101458 .....	17	102613 .....	19
101116 .....	27	101460 .....	9	102615 .....	15
101122 .....	21, 22	101461 .....	9	102616 .....	15
101284 .....	23	101462 .....	22	102628 .....	15
101285 .....	23	101463 .....	9	102632 .....	33
101303 .....	41	101777 .....	17	102634 .....	33
101303 .....	41	102128 .....	19	102677 .....	38
101361 .....	21, 22	102256 .....	33	102678 .....	38
101364 .....	25	102289 .....	29	102681 .....	33
101365 .....	25	102292 .....	35	102682 .....	33
101367 .....	26	102295 .....	33	102683 .....	33
101368 .....	15	102313 .....	35	102684 .....	17
101369 .....	15	102314 .....	36	102700 .....	13
101370 .....	15	102317 .....	17	102785 .....	29
101372 .....	29	102338 .....	33, 35, 36	102827 .....	11, 12
101373 .....	27	102343 .....	33	102829 .....	13
101374 .....	19	102344 .....	35	102849 .....	11, 13
101375 .....	11	102345 .....	35	102858 .....	13
101378 .....	13	102346 .....	33	102859 .....	11, 12, 19, 27
101395 .....	37	102350 .....	33	102860 .....	11, 13
101396 .....	26	102369 .....	33, 35	102861 .....	11, 12
101404 .....	21	102370 .....	33, 35	102864 .....	11, 12
101405 .....	31	102371 .....	33	102966 .....	9
101411 .....	37	102372 .....	33	102972 .....	19
101413 .....	35	102373 .....	33	102973 .....	11, 12, 19
101414 .....	35	102374 .....	33	102979 .....	19
101415 .....	33	102375 .....	33	102986 .....	17
101416 .....	33	102376 .....	35	102990 .....	11, 26
101417 .....	19	102377 .....	35	102995 .....	11, 13
		102427 .....	38	102998 .....	11, 13

*Spare part list MilkShuttle (incl. Pasteurizer) (without prices)*

---

103000 .....	13	103152 .....	11, 13	103388 .....	29
103007 .....	13	103155 .....	29	103522 .....	9
103008 .....	13	103166 .....	21, 22	103603 .....	9
103009 .....	13	103167 .....	29	103919 .....	44
103020 .....	13	103184 .....	23, 25	103920 .....	44
103029 .....	13	103222 .....	11, 13	103921 .....	44
103030 .....	13	103226 .....	11, 13	103922 .....	44
103031 .....	13	103227 .....	13	103996 .....	29, 39
103032 .....	13	103255 .....	13	104045 .....	41
103051 .....	13	103312-02 .....	40	104045 .....	41
103062 .....	29	103341 .....	11	104347 .....	37
103103 .....	13	103349 .....	9	104351 .....	36
103144 .....	11, 13	103350 .....	9	104387 .....	37
103147 .....	11, 12, 19, 27	103351 .....	9	104673 .....	44
103148 .....	11, 13	103387 .....	25, 29		







FEEDING TECHNOLOGY *specialized in calves*

Urban GmbH & Co. KG  
Auf der Striepe 9  
D-27798 Wüstring  
Germany

Phone: +49(0) 44 84/93 80-0  
Fax: +49(0) 44 84/93 80-10

[info@urbanonline.de](mailto:info@urbanonline.de)

[www.urbanonline.de](http://www.urbanonline.de)

