

Alma Pro Installation and start up

Since software 19_10_V16



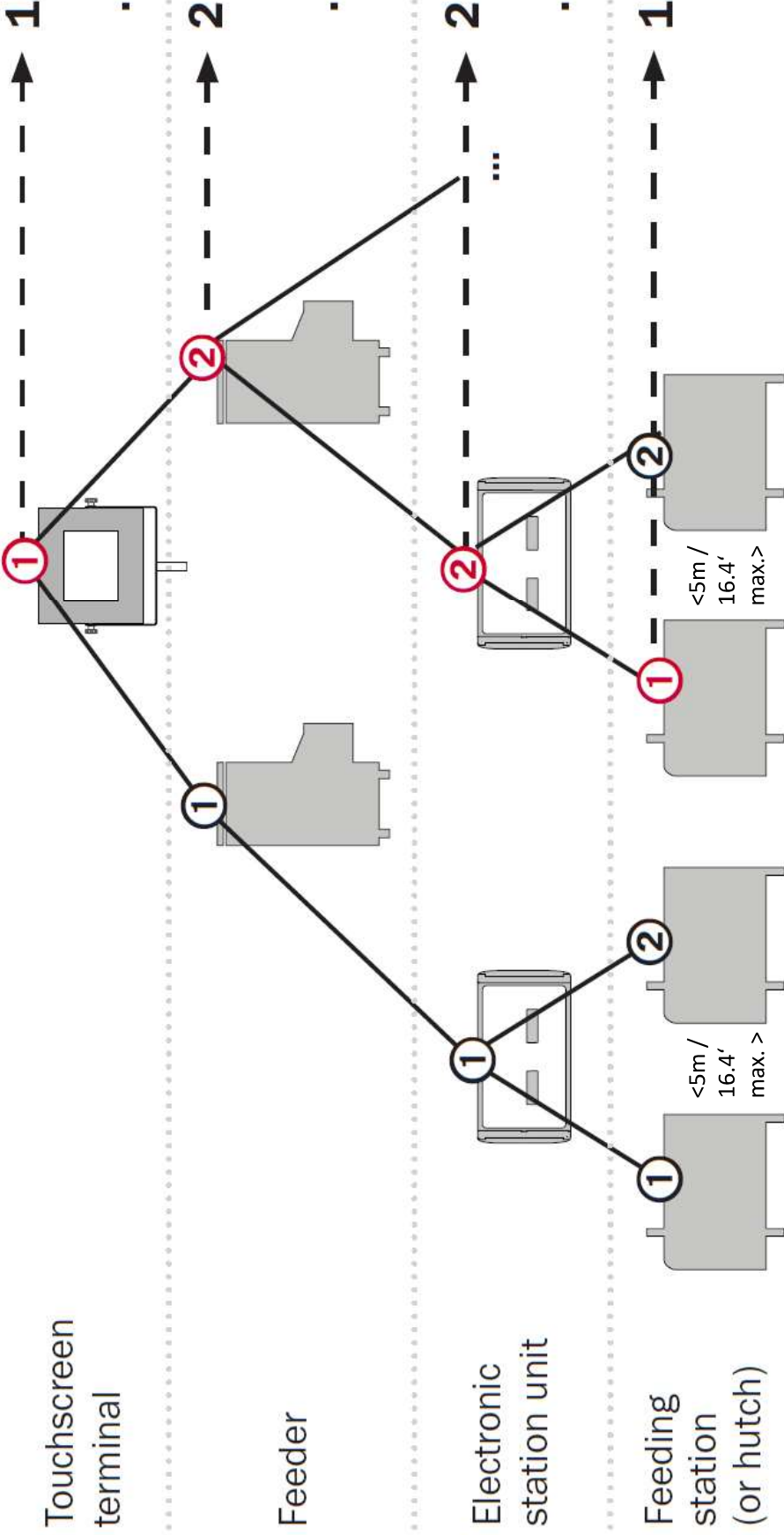
Technical requirements for Alma Pro

- 230 Volt 16Amp 50Hz Socket (1Ph/N/PE)
- 400 Volt 16 Amp 50Hz Socket (3Ph/N/PE)
(pre-heater option)
- 2 – 4 bar water supply (29 – 58 psi)
Frost protected!
- Drain



Attention! Please keep it in mind!

- It's necessary to have a valid access USB flash drive!
- Do at first all hardware installation, before starting up the feeder at the terminal!
- Fill the detergent vessels and powder bag / whole milk container, etc. before starting up the software!
- Do the start up with care, don't skip any steps at the software start up!

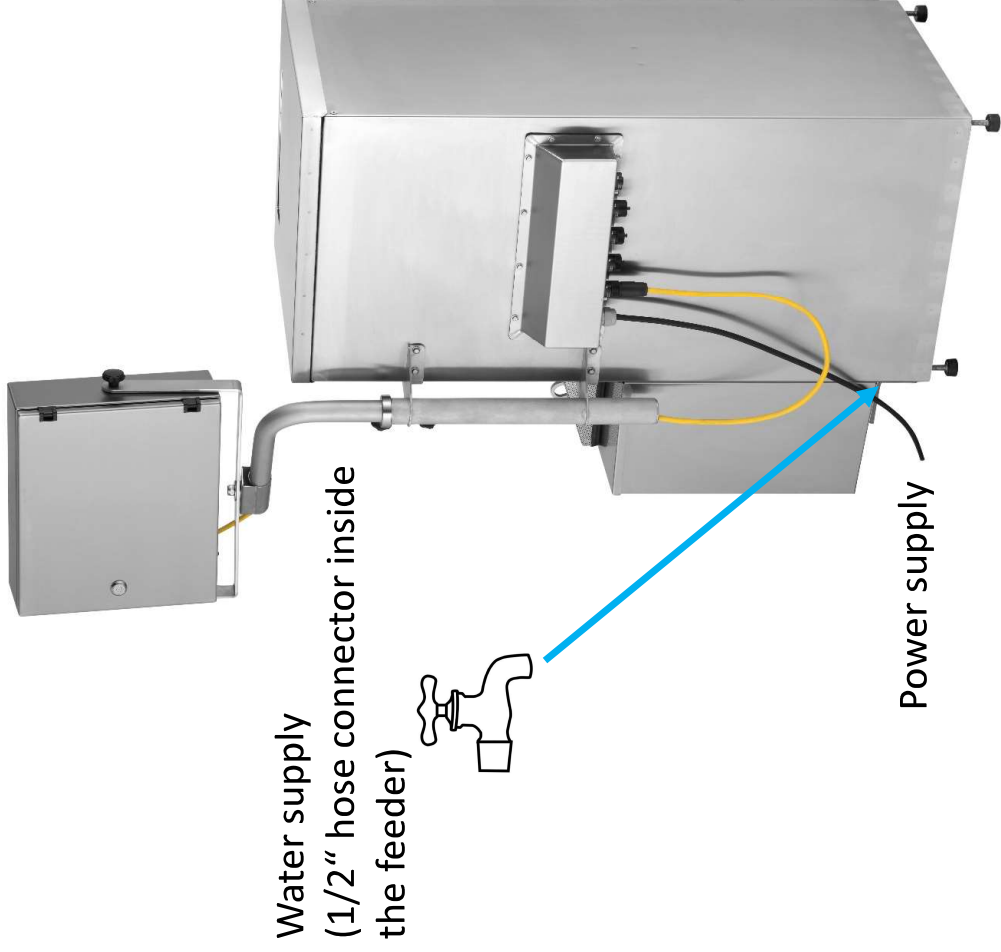


Identifier: 1.2.2.1

- Touchscreen
- Feeder
- Electronic station units
- Feeding station 1/2



Fit on the terminal



Water supply
(1/2" hose connector inside
the feeder)

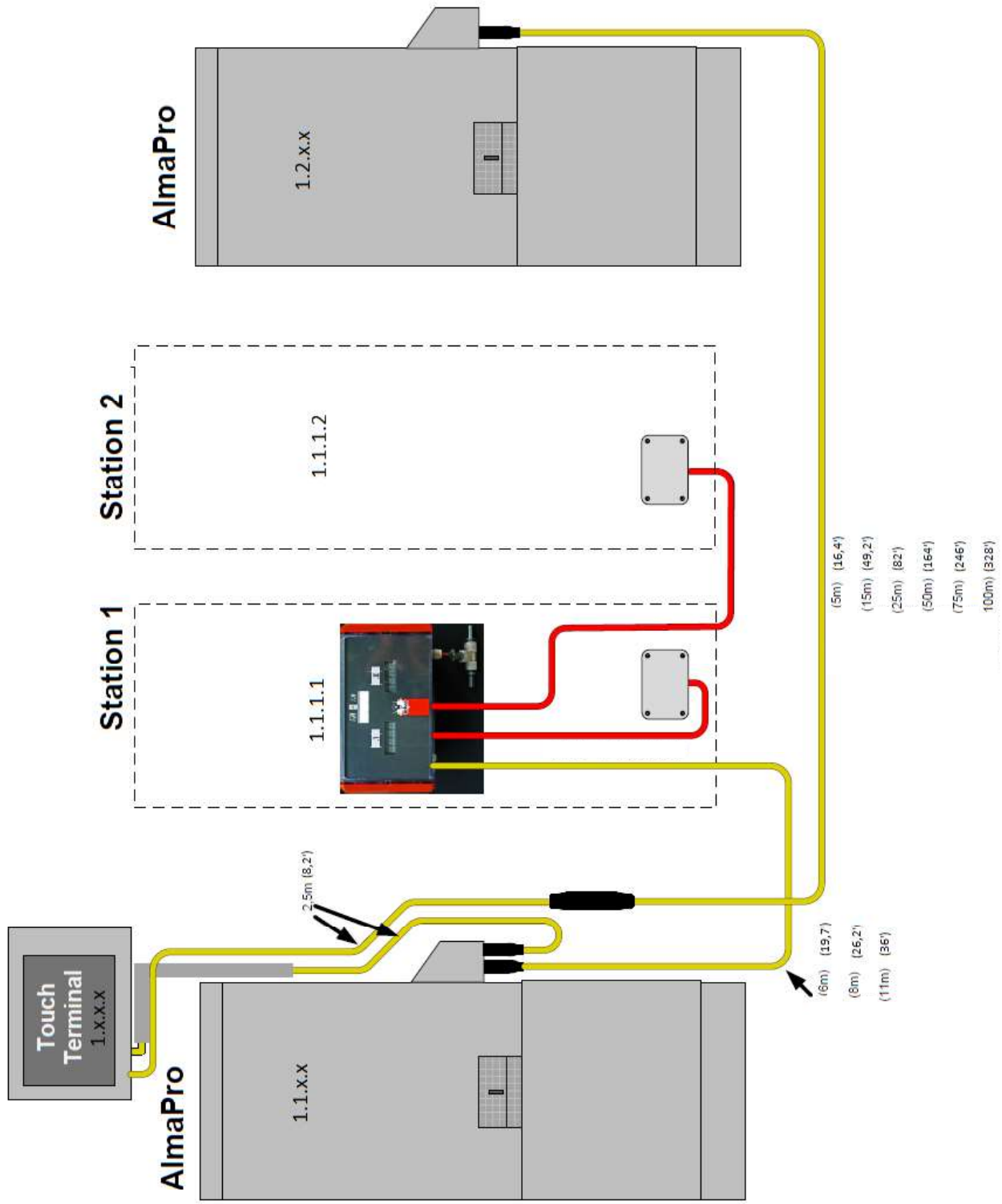
Power supply

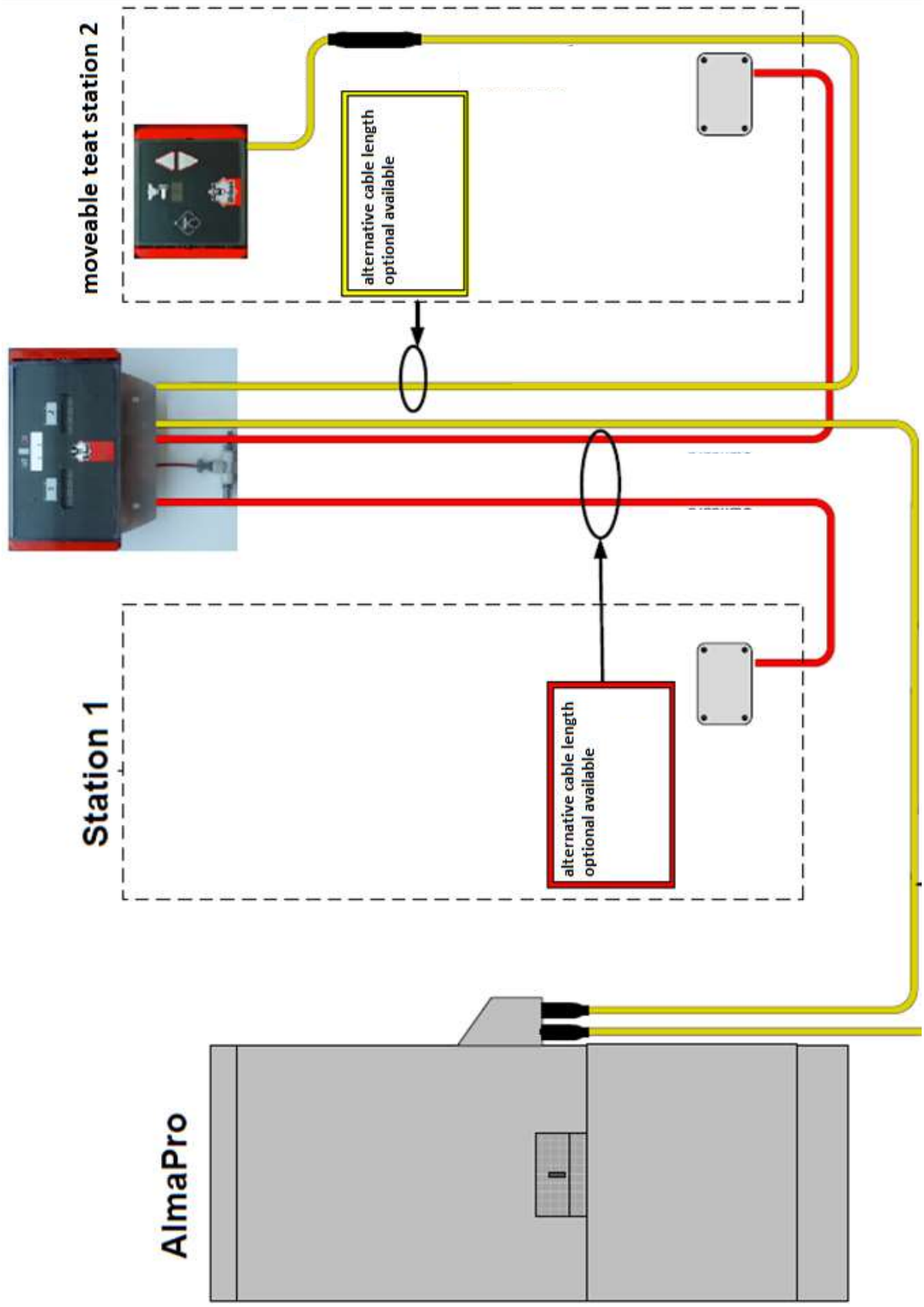
Connect the terminal to feeder

Drain

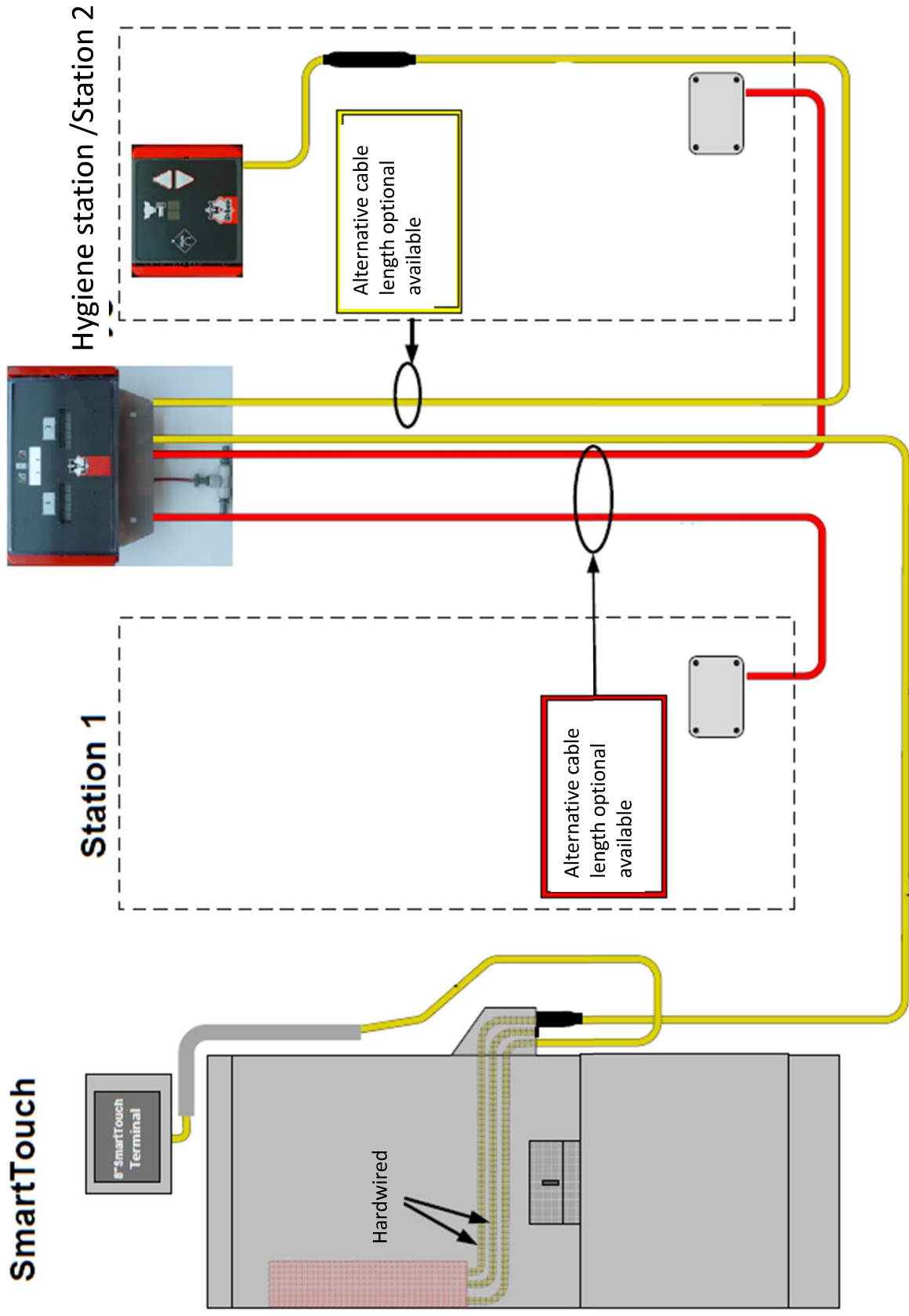


Drain hose size 1/2",
max. 1m / 3.28'
length

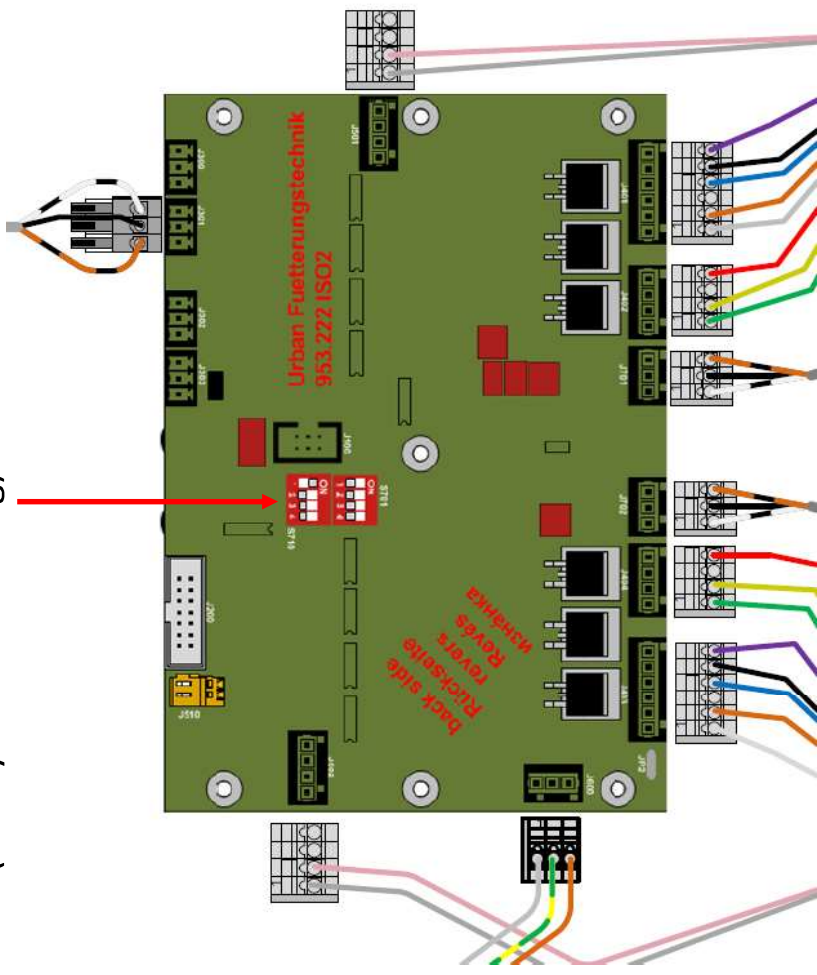




AlmaPro SmartTouch

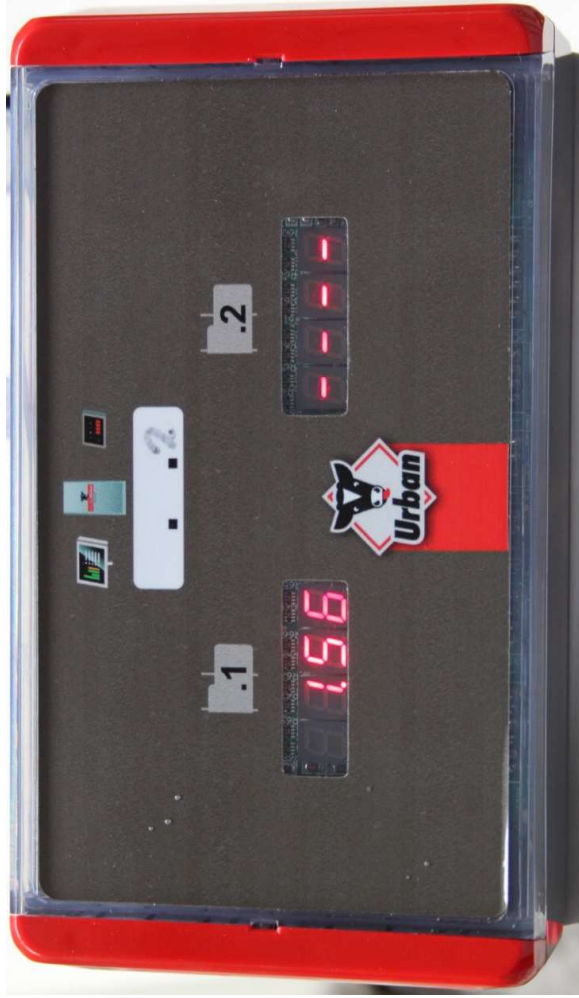


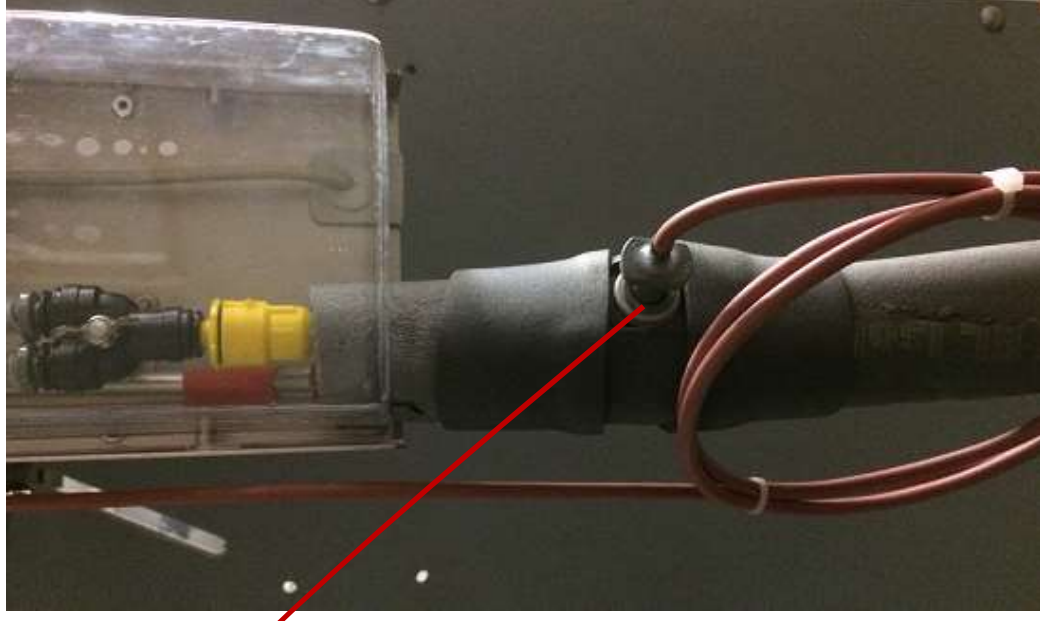
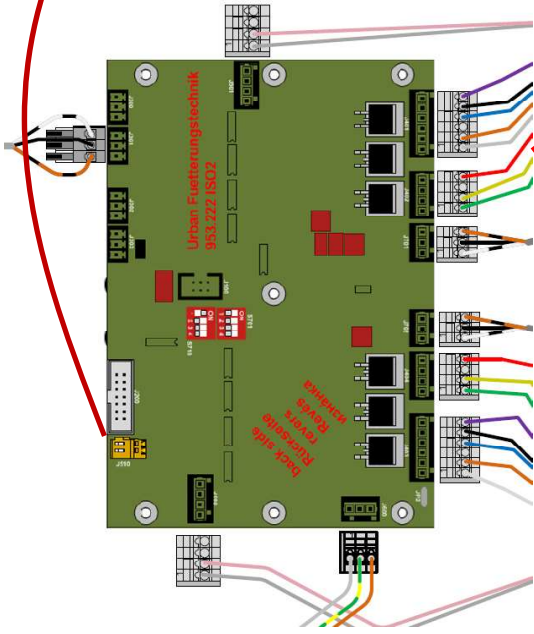
Use S710 to set the station electronic number
(binary address setting)



Station 2

Station 1





Temperature probe (1x per station electronic)



Station 1 or
1.1.1.1.1



Station 2 or
1.1.1.1.2



