

DESCRIPTION

The Mammoth of doors: gigantic and super strong. With a Mammoth Door we close openings with a width and height of up to 16 m in a safe and efficient way.

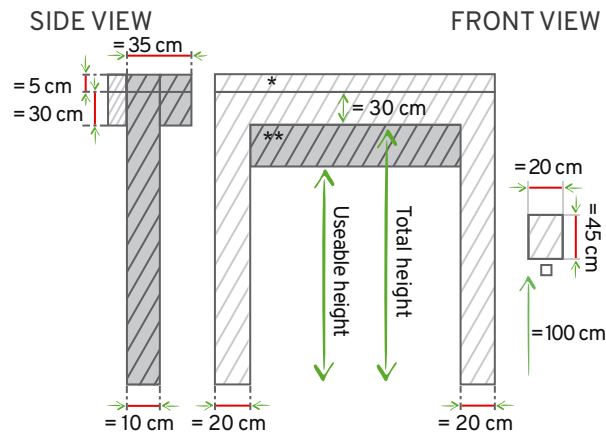
The Mammoth Door also functions without any problems in strong winds. It gets its strength from the horizontal welding belts, each of which can handle 2.4 tons individually. We fix these welding belts on both sides in RVS wheels with bearings, which are located in the strong RVS rails. As a result, the gate withstands wind pressure very well.

The Mammoth Door is not only large and strong, it can also serve in many challenging conditions. Because we use RVS for the essential parts, the gate can be used flawlessly in areas rich in ammonia and moisture.

SPECIFICS

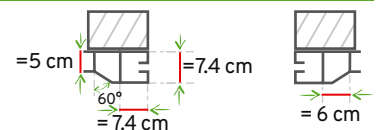
Maximum dimensions	Openings up to 16 m width and height (wider and higher dimensions upon request)
Wind resistance	Up to 100 km/h
Warranty	Yes
Standard tarpaulin	This door is covered in 100% tarpaulin. For an extra fee this can be amended. Both left and right, 30 cm is always covered in a 100% tarpaulin.
Flap	Optional
Colours	Currently available colours per % on https://agri.vervaeke.be/en/samples
Useable height	= (total height x 0.9) - 0.4
Total height	= (useable height + 0.4) / 0.9

SPACE REQUIREMENTS



<input type="checkbox"/> Socket	* 5 cm fixing protective cover
<input checked="" type="checkbox"/> Fixing space	** Folding space
<input checked="" type="checkbox"/> Free space	

TOP VIEW



EN STANDARDS

EN 13501-1 + A1 : 2009	Flammability	All our curtains have flammability standards. Most have B S2 D0.
		Contact us for the technical datasheet of your fabric.

DRIVE

GFA - MOTOR 15 rpm SI-25 - 3 phase
 Socket: 400V + N + PE 16A +/- 5% at the control cabinet
 Mono: Max. length: up to 8.5 m
 Max. height: up to 9 m
 Duo: Max. length: starting from 8.5 m
 Max. height: up to 9 m

GFA - MOTOR 15 rpm SI-40 - 3 phase
 Socket: 400V + N + PE 16A +/- 5% at the control cabinet
 Mono: Max. length: up to 8.5 m
 Max. height: starting from 9 m
 Duo: Max. length: starting from 8.5 m
 Max. height: starting from 9 m

GFA - MOTOR 60 rpm SI-25 - 3 phase
 Socket: 400V + N + PE 16A +/- 5% at the control cabinet
 Mono: Max. length: up to 8.5 m
 Duo: Max. length: starting from 8.5 m

GFA - MOTOR 60 rpm SI-35 - 3 phase
 Socket: 400V + N + PE 16A +/- 5% at the control cabinet
 Mono: Max. length: up to 8.5 m
 Duo: Max. length: starting from 8.5 m



ADVANTAGES



High wind resistance



CE label



Durable



Low maintenance



Custom made

APPLICATION

